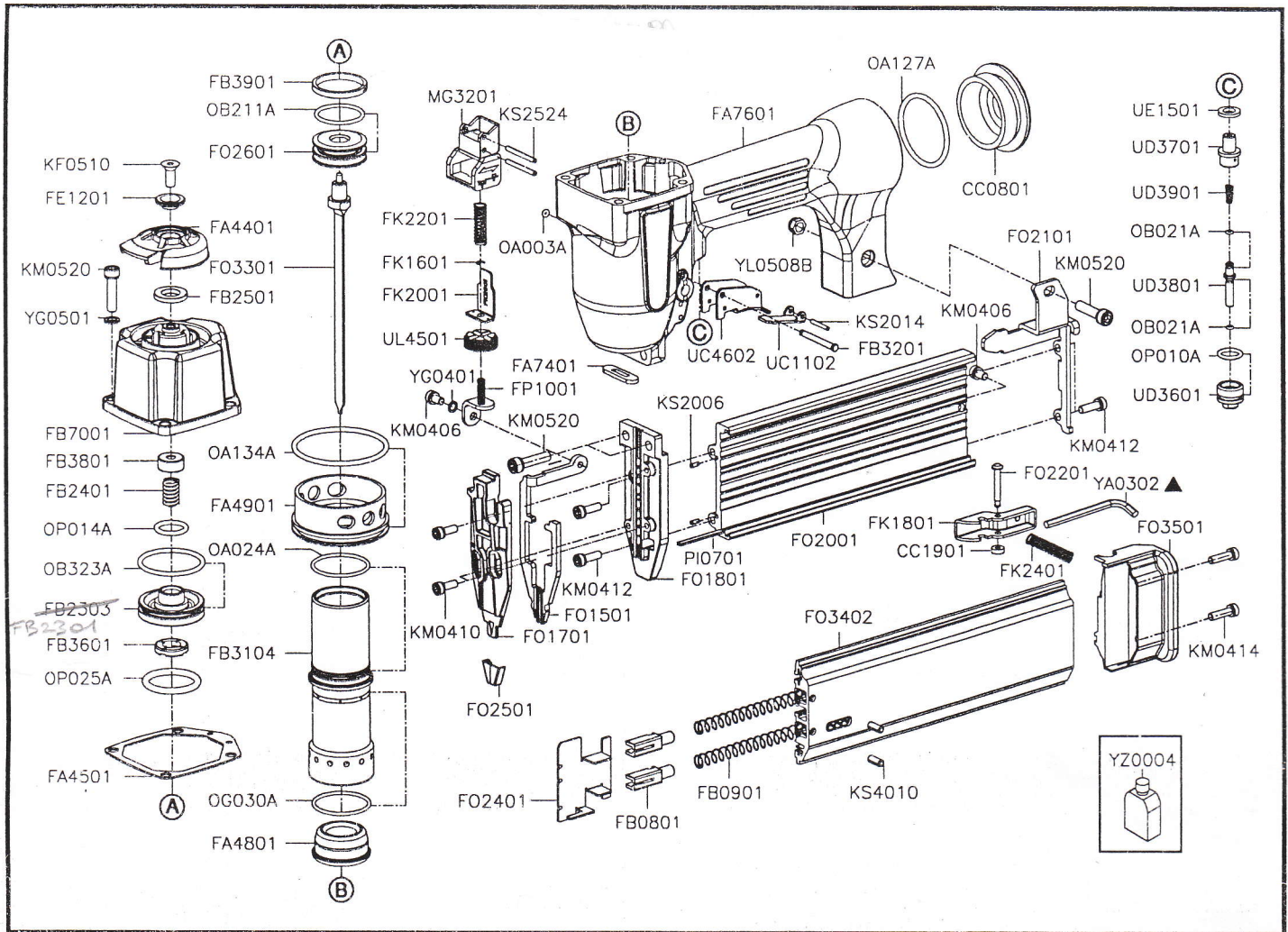


F18/57B05 (FO/S1-05)



Part No	Description	Spec	Q'ty	Part No	Description	Spec	Q'ty	Part No	Description	Spec	Q'ty
CC0801	END CAP		1	F01501	SAFETY (A)		1	OA024A	O-RING	ARP568-024	1
CC1901	BUSHING		1	F01701	COVER PLATE		1	OA127A	O-RING	ARP568-127	1
FA4401	EXHAUST CAP		1	F01801	GUIDE PLATE		1	OA134A	O-RING	ARP568-134	1
FA4501	CAP SEAL		1	F02001	MAGAZINE SEAT		1	OB021A	O-RING	1.8× 1.2	2
FA4801	BUMPER		1	F02101	SUPPORT		1	OB211A	O-RING	20.8× 1.78	1
FA4901	COLLAR		1	F02201	STOP PIN		1	OB323A	O-RING	31.8× 2.4	1
FA7401	NOZZLE		1	F02401	PUSHER		1	OG030A	O-RING	G30	1
FA7601	BODY		1	F02501	PLATE		1	OP010A	O-RING	P10	1
FB0801	PUSHER PIN		2	F02601	MAIN PISTON		1	OP014A	O-RING	P14	1
FB0901	PUSHER SPRING		2	F03301	DRIVER		1	OP025A	O-RING	P25	1
FB2303	HEAD VALVE PISTON	FB2301 NYLON	1	F03402	MAGAZINE CAP		1	PI0701	BAR		1
FB2401	COMPRESSION SPRING		1	F03501	COVER		1	UC1102	CONTACT LEVER		1
FB2501	PISTON STOP		1	FP1001	SAFETY (B)		1	UC4602	TRIGGER		1
FB3104	CYLINDER		1	KF0510	FLAT HD.BOLT	M5× 0.8-10L	1	UD3601	TRIGGER VALVE GUIDE		1
FB3201	TRIGGER PIN		1	KM0406	HEX.SOC.HD.BOLT	M4× 0.7-6L	2	UD3701	TRIGGER VALVE SEAT		1
FB3601	PISTON STOP		1	KM0410	HEX.SOC.HD.BOLT	M4× 0.7-10L	3	UD3801	TRIGGER VALVE STEM		1
FB3801	PISTON STOP		1	KM0412	HEX.SOC.HD.BOLT	M4× 0.7-12L	4	UD3901	SPRING		1
FB3901	MAIN PISTON RING		1	KM0414	HEX.SOC.HD.BOLT	M4× 0.7-14L	2	UE1501	SEAL		1
FB7001	CYLINDER CAP		1	KM0520	HEX.SOC.HD.BOLT	M5× 0.8-20L	7	UL4501	ADJUSTING ROLL		1
FE1201	EXHAUST CAP RING		1	KS2006	SPRING PIN	φ 2-6L	2	▲YA0302	HEX BAR WRENCH	D3	1
FK1601	C-RING		1	KS2014	SPRING PIN	φ 2-14L	1	YG0401	SPRING WASHER	φ 4	1
FK1801	LATCH		1	KS2524	SPRING PIN	φ 2.5-24L	2	YG0501	SPRING WASHER	φ 5	4
FK2001	SAFETY (B)		1	KS4010	SPRING PIN	φ 4-10L	2	YL0508B	LOCK NUT	M5× 0.8	1
FK2201	SAFETY SPRING		1	MG3201	SAFETY GUTE		1	YZ0004	OIL BOX		1
FK2401	LATCH SPRING		1	OA003A	O-RING	ARP568-003	1				

☆☆ If you need to order parts, please mark both Parts No. and Description. ☆☆