

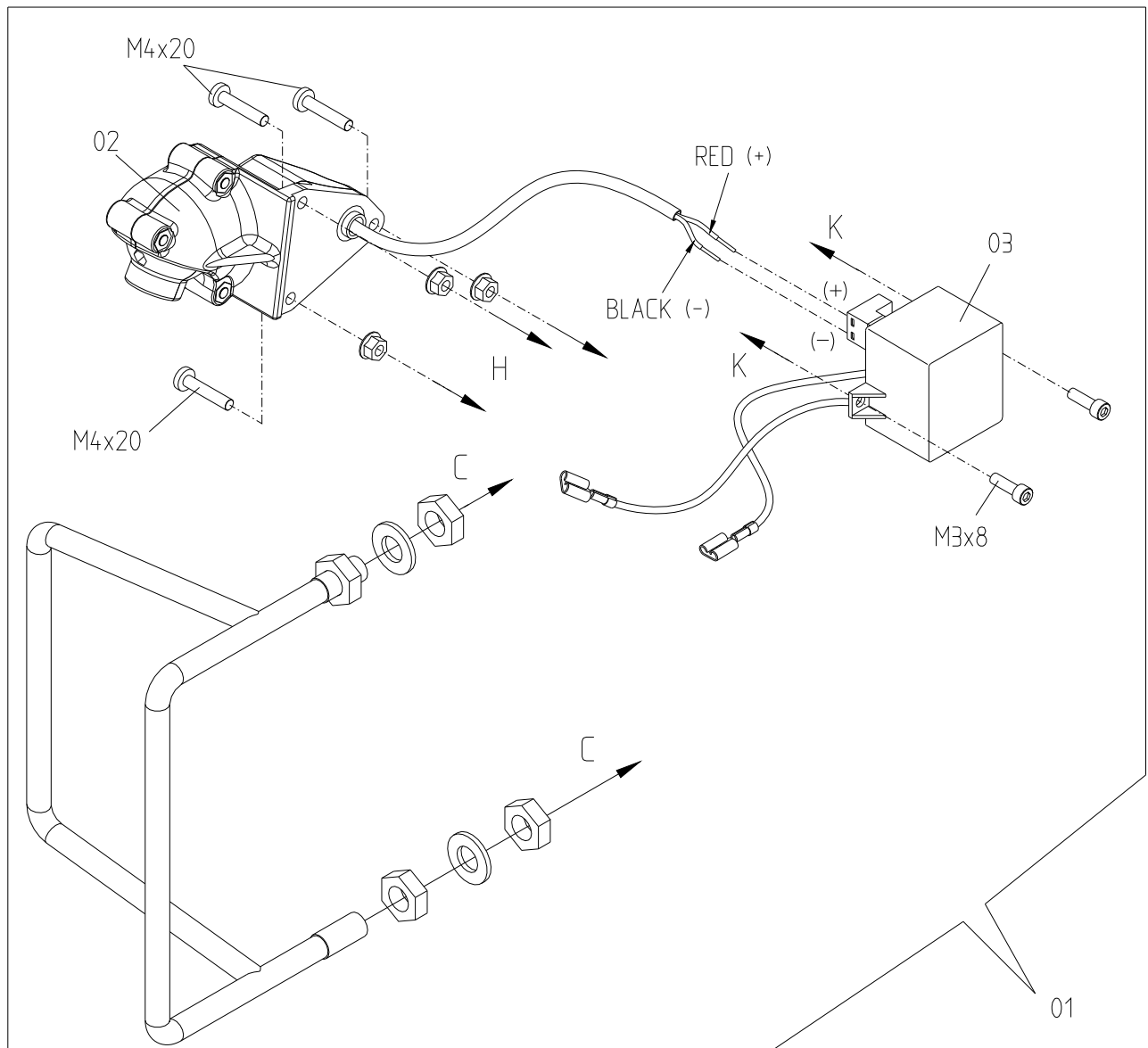
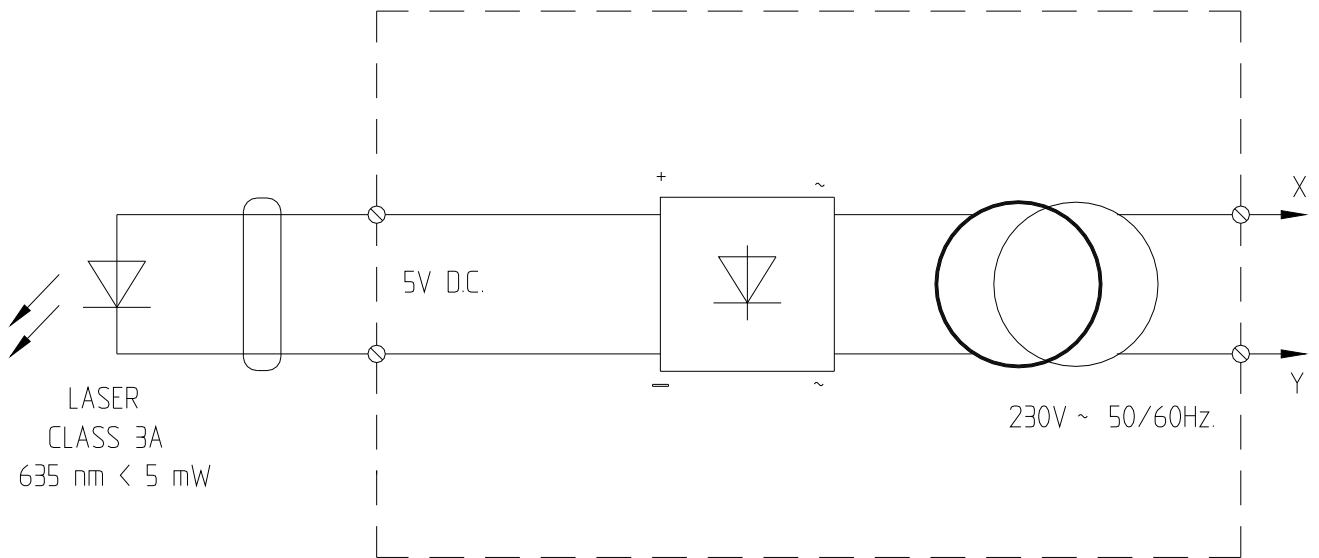


CARAT

P-7010 LASER

ART. NR: BP7010L000

DATUM: 01/01/2012



P-7010 FRAME

POS.	OMSCHRIJVING	ONDERDEELNR
1	SET POTEN COMPL.	XSPC90034000
2	HOEKPROFIEL RECHTS INCL. BLOKKEERHENDEL	XSPC90120000
3	SCHROEVEN/MOERENSET TBV FRAME	XSPC90238000
4	SET SPATLAPPEN	XSPC90449-C0
5	WATERSTOP COMPL.	XSPC84025000
6	KUNSTSTOF DOP TBV POOT	XSPC90090000
7	SET MONTAGEPLATEN TBV BRUGSTEUN	XSPC90207000
8	SET BRUGSTEUNEN	XSPC90434000
9	SET LINIALEN	XSPC90223000
10	SCHROEVEN/MOERENSET TBV BRUG	XSPC90074000
11	WATERSLANG	XSPC07071R00
12	WATERPOMP TYPE P-3 COMPL.	XSPC90448000
13	HOEKPROFIEL LINKS INCL. BLOKKEERHENDEL	XSPC90121000
14	GLIJLATTEN RVC TBV BRUG	XSPC90218-12
15	SET VOORAANSLAGEN	XSPC90213000
16	VARIABLE MATERIAALAANSLAG COMPL.	XSPC90235000
17	BOVENTAFEL COMPL.	XSPC90216-85
18	BRUG COMPL.	XSPC90200-70
19	STALEN KABEL TBV HANDWIEL	XSPC90251-12
20	HANDWIEL COMPL.	XNB90166-550
21	HOUDER GROTE SPATLAP	XSPC90450000
22	KABELANTENNE	XSPC90251F00
23	WATERBAK	XSPC90135-12
24	BLOKKEERHENDEL COMPL. TBV POOT	XSPC90039000
25	WIELSTEL COMPL.	XNB90102R000
26	GEREEDSCHAPSET COMPL.	XSPC03032000
27	HANDGREEP COMPL.	XSPC90119000
28	ALUMINIUM FRAME COMPLEET	XSPC90232-12

P-7010 MOTOR

POS.	OMSCHRIJVING	ONDERDEELNR
1	SCHROEVEN/MOERENSET TBV MOTOR	XSPC90063000
2	VENTILATOR + KAP	XSPC90306000
3	VELD 400V COMPL.	XSPC96098000
4	KABELSET	XSPC90439000
5	SCHAKELAAR 400V	XSPC90329000
6	SPOEL TBV SCHAKELAAR	XSPC90329-10
7	ELECTRO-UNIT	XSPC90079000
8	AANSLUITDOOS COMPL.	XSPC90431-F0
9	OPBOUWSTEKKER COMPL. 400V	XSPC90245000
10	SCHROEVEN/MOERENSET TBV BRUG	XSPC90074000
11	BESCHERMBEUGEL LASER	XSPC90436-10
12	NOODSTOP	XSPC90333000
13	SPROEIVORK COMPL.	XSPC90016000
14	SET MONTAGERINGEN TBV ZAAGKAP	XSPC90311000
15	HANDLEIDING	XSPC90442000
16	FLENZENSET COMPL.	XSPC90402000
17	PLAAT TBV ZAAGKAP Ø700MM	XSPC90404000
18	WATERKRAAN COMPL.	XSPC90153000
19	ZAAGKAP COMPL. Ø700MM	XSPC90445000
20	SET SPATLAPPEN	XSPC90449-C0
21	LAGERSET TBV ZAAGWAGEN	XSPC90237000
22	KUNSTSTOF HANDGREEP	XSPC03055000
23	HANDGREEPBEUGEL COMPL.	XSPC90433000
24	ZAAGWAGEN COMPL. INCL. MOTOR	XSPC90444000
25	ELECTRO-UNIT	XSPC90079000
26	SET MONTAGEPLAATJES	XSPC90304000
27	MONTAGEPLAAT MOTOR	XSPC90432000
28	MOTOR COMPL. 400V	XSPC90443000
29	VOEDINGSKABEL NAAR MOTOR	XSPC90437000
30	ANKER COMPL. 400V	XSPC90423000
31	AFDEKKAP TBV VELD COMPL.	XSPC96056000
32	WATERSLANG	XSPC90326000
33	DICHTING MONTAGEPLAAT MOTOR	XSPC90059000

P-7010 LASER

POS.	OMSCHRIJVING	ONDERDEELNR
1	LASER COMPL.	XNB971690000
2	LASER UNIT	XSPC90137000
3	LASER VOEDING	XSPC90138P00