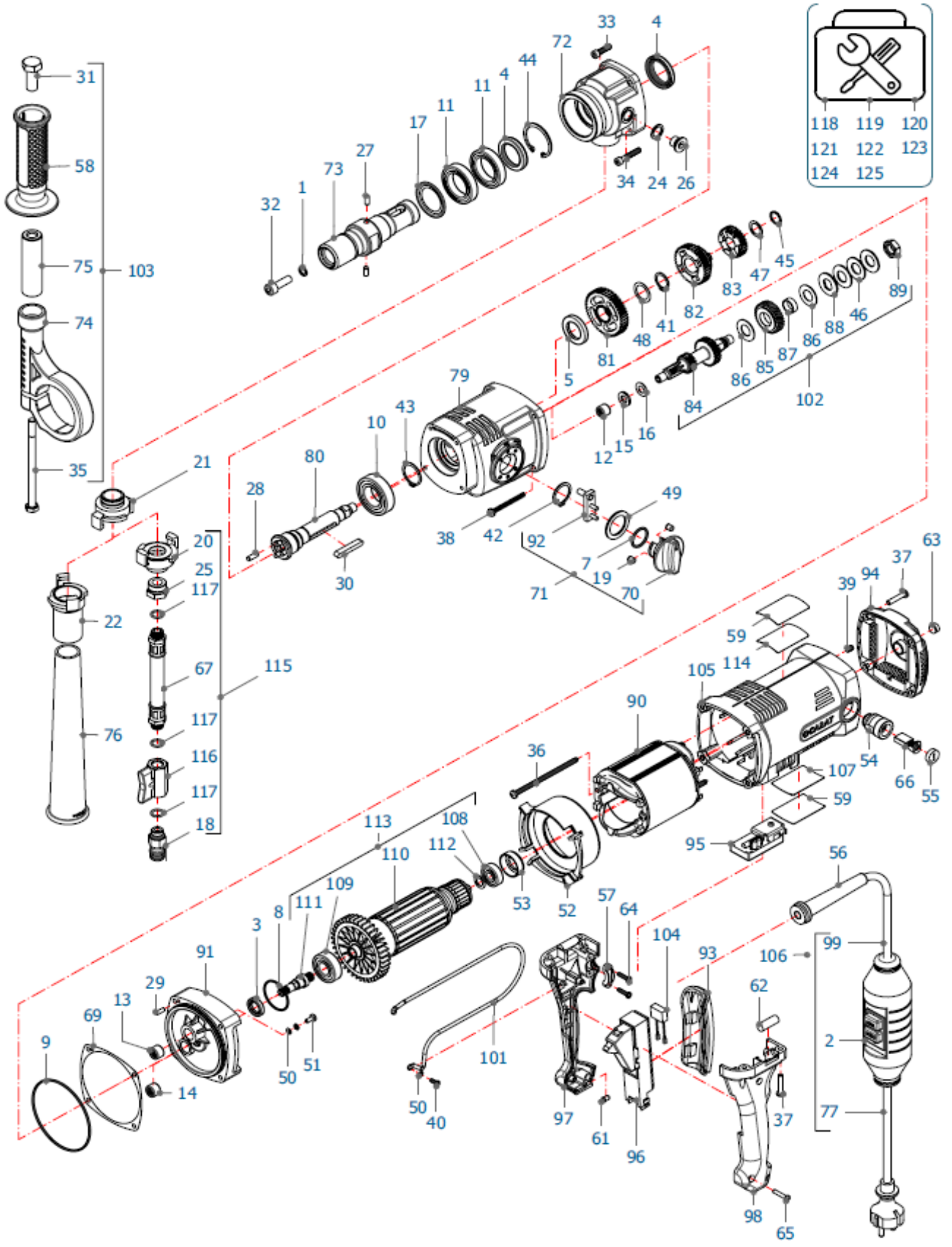


Nr.	Omschrijving	Artikelnummer	Nr.	Omschrijving	Artikelnummer
1	COPPER RING 8x12MM	XAM-903740	52	AIR RING	XAM-N14010
2	PRCD-SWITCH 10MA IP66 16A 220V	XAM-9Q2066A	53	BEARING CARTER	XAM-N14011
3	SEALING WASHER 12x22x4	XAM-E30A05	54	CARBON BRUSH HOLDER	XAM-N14020
4	SEALING WASHER 28x40x6	XAM-E30A28	55	CARBON BRUSH COVER	XAM-N14022
5	SEALING WASHER 22X35X5	XAM-E32030	56	CABLE GUIDE	XAM-N14023
7	O-RING 21x2,0	XAM-E4021B	57	CABLE CLAMP	XAM-N14024
8	O-RING 35x1,5	XAM-E4035A	58	GRIP SIDE GRIP	XAM-N14027
9	O-RING 85x2,0	XAM-E4084A	59	LAMINATE STICKER FOR TYPE PLATE	XAM-N140281
10	BALL BEARING 6005	XAM-EA050A	61	LED	XAM-N14032
11	BALL BEARING 61906	XAM-EA057A	62	BULLS EYE CYLINDRICAL	XAM-N14034
12	NEEDLE BUSH 0910	XAM-EB009A	63	BULLS EYE ROUND	XAM-N14035
13	NEEDLE BUSH HOUSING 1010	XAM-EB012A	64	SCREW 3,5x16 TAPPING	XAM-N14039
14	NEEDLE BUSH HOUSING 1010	XAM-EB012B	65	SCREW 4,0x20 TAPPING	XAM-N14040
15	NEEDLE BUSH 917	XAM-EN0109	66	CARBON BRUSH SET A-20..	XAM-N14058
16	NEEDLE BUSH 917	XAM-EN01091	67	WATER HOSE	XAM-N14081
17	BEARING RING 61906	XAM-EXR100	69	SEALING FOR A14../A18../A20..	XAM-N14096
18	GARDENA GROMMET MESSING	XAM-F20150	70	SWITCH KNOB	XAM-N18006A
19	PRESSURE PLATE ROUND	XAM-F42605	71	GEAR KNOB ASSEMBLY A-20.. & A-22..	XAM-N18006C2
20	COUPLING G1/2"BI	XAM-F43281	72	AXE HOUSING	XAM-N18022
21	COUPLING G3/4"BU	XAM-F43282	73	MAIN AXE 5/4"-1/2"	XAM-N18030
22	GROMMET 5/4"	XAM-F43283	74	LOCK RING	XAM-N18032
24	RING 13x18x1	XAM-F43350	75	SHAFT SIDE GRIP	XAM-N18033
25	ADAPTER 1/2"BU-1/4"BI	XAM-F45560	76	GROMMET EXHAUST	XAM-N18045
26	STOP G1/4"	XAM-F45625	77	CABLE 3,5MTR + SCHUKO	XAM-N18050
27	PEN 5X12	XAM-F6PG12	79	GEAR BOX CARAT	XAM-N20001
28	PEN 5x14	XAM-F6PG14	80	MAIN AXE	XAM-N20002
29	PEN 4x12	XAM-F6Q112	81	GEAR	XAM-N20003
30	KEY 6X6X40	XAM-F6R340	82	GEAR	XAM-N20004
31	HEXAGONAL BOLT M12X30	XAM-FB2030	83	GEAR	XAM-N20006
32	COVER SCREW M8x25	XAM-FBC025	84	GEAR AXE	XAM-N20007
33	COVER SCREW BZK M5x20	XAM-FBC720	85	PINION	XAM-N20008
34	COVER SCREW BZK M5x30	XAM-FBC730	86	SLIP RING	XAM-N20009
35	HEXAGONAL BOLT M8X120	XAM-FC0820	87	BEARING BUSH	XAM-N20010
36	TAPPING SCREW	XAM-FF1410	88	LOCK RING	XAM-N20011
37	PANNED CYLINDRICAL SCREW 4,8x32	XAM-FF1432	89	NUT M12	XAM-N20012
38	PANNED CYLINDRICAL SCREW 4,8x50	XAM-FF1450	90	STATOR 2400W A-22..	XAM-N24013
39	SET SCREW M5x10	XAM-FIK051	91	COVER GEAR BOX CARAT	XAM-N20015
40	COUNTERSUNK SCREW 3,5x8	XAM-FQ2408	92	SWITCH LEVER	XAM-N20016
41	SHIM RING 18MM	XAM-FR0180	93	MOTOR HOUSING A-2031 & A-2211	XAM-N20017/22
42	SHIM RING 24mm	XAM-FR0240	94	PRINTED CIRCUIT BOARD COMPLETE A-20	XAM-N20018/22
43	SHIM RING 25mm	XAM-FR0250	95	SOFT-GRIP	XAM-N20019
44	SHIM RING 40mm	XAM-FR1400	96	GRIP PART RIGHT BACKSIDE A-20.. & A-22..	XAM-N20020
45	CIRCLIPS A-2011	XAM-FR4140	97	GRIP PART LEFT BACKSIDE A-20.. & A-22..	XAM-N20021
46	DISC SPRING FOR A-20.. & A-22..	XAM-FR6280	98	CONDENSER INCLUDING FASTONS	XAM-N20022
47	SHIM RING 14x20	XAM-FS14P2	99	EARTH CABLE	XAM-N20023
48	SHIM RING 18X25	XAM-FS18P2	100	SWITCH 10A	XAM-N20030
49	SHIM RING 25x35	XAM-FS25P2	102	CLUTCH COMPLETE	XAM-N20041
50	TOOTHED SPRING RING M4	XAM-FV04TV	103	GRIP COMPLETE	XAM-N20042
51	CYLINDRICAL SCREW M4x10	XAM-FZ4110	104	POWER CABLE INCLUDING PRCD 230V FC	XAM-N20050CA



Nr.	Omschrijving	Artikelnummer	Nr.	Omschrijving	Artikelnummer
1	COPPER RING 8x12MM	XAM-903740	52	AIR RING	XAM-N14010
2	PRCD-SWITCH 10MA IP66 16A 220V	XAM-9Q2066A	53	BEARING CARTER	XAM-N14011
3	SEALING WASHER 12x22x4	XAM-E30A05	54	CARBON BRUSH HOLDER	XAM-N14020
4	SEALING WASHER 28x40x6	XAM-E30A28	55	CARBON BRUSH COVER	XAM-N14022
5	SEALING WASHER 22X35X5	XAM-E32030	56	CABLE GUIDE	XAM-N14023
7	O-RING 21x2,0	XAM-E4021B	57	CABLE CLAMP	XAM-N14024
8	O-RING 35x1,5	XAM-E4035A	58	GRIP SIDE GRIP	XAM-N14027
9	O-RING 85x2,0	XAM-E4084A	59	LAMINATE STICKER FOR TYPE PLATE	XAM-N140281
10	BALL BEARING 6005	XAM-EA050A	61	LED	XAM-N14032
11	BALL BEARING 61906	XAM-EA057A	62	BULLS EYE CYLINDRICAL	XAM-N14034
12	NEEDLE BUSH 0910	XAM-EB009A	63	BULLS EYE ROUND	XAM-N14035
13	NEEDLE BUSH HOUSING 1010	XAM-EB012A	64	SCREW 3,5x16 TAPPING	XAM-N14039
14	NEEDLE BUSH HOUSING 1010	XAM-EB012B	65	SCREW 4,0x20 TAPPING	XAM-N14040
15	NEEDLE BUSH 917	XAM-EN0109	66	CARBON BRUSH SET A-20..	XAM-N14058
16	NEEDLE BUSH 917	XAM-EN01091	67	WATER HOSE	XAM-N14081
17	BEARING RING 61906	XAM-EXR100	69	SEALING FOR A14../A18../A20..	XAM-N14096
18	GARDENA GROMMET MESSING	XAM-F20150	70	SWITCH KNOB	XAM-N18006A
19	PRESSURE PLATE ROUND	XAM-F42605	71	GEAR KNOB ASSEMBLY A-20.. & A-22..	XAM-N18006C2
20	COUPLING G1/2"BI	XAM-F43281	72	AXE HOUSING	XAM-N18022
21	COUPLING G3/4"BU	XAM-F43282	73	MAIN AXE 5/4"-1/2"	XAM-N18030
22	GROMMET 5/4"	XAM-F43283	74	LOCK RING	XAM-N18032
24	RING 13x18x1	XAM-F43350	75	SHAFT SIDE GRIP	XAM-N18033
25	ADAPTER 1/2"BU-1/4"BI	XAM-F45560	76	GROMMET EXHAUST	XAM-N18045
26	STOP G1/4"	XAM-F45625	77	CABLE 3,5MTR + SCHUKO	XAM-N18050
27	PEN 5X12	XAM-F6PG12	79	GEAR BOX CARAT	XAM-N20001
28	PEN 5x14	XAM-F6PG14	80	MAIN AXE	XAM-N20002
29	PEN 4x12	XAM-F6Q112	81	GEAR	XAM-N20003
30	KEY 6X6X40	XAM-F6R340	82	GEAR	XAM-N20004
31	HEXAGONAL BOLT M12X30	XAM-FB2030	83	GEAR	XAM-N20006
32	COVER SCREW M8x25	XAM-FBC025	84	GEAR AXE	XAM-N20007
33	COVER SCREW BZK M5x20	XAM-FBC720	85	PINION	XAM-N20008
34	COVER SCREW BZK M5x30	XAM-FBC730	86	SLIP RING	XAM-N20009
35	HEXAGONAL BOLT M8X120	XAM-FC0820	87	BEARING BUSH	XAM-N20010
36	TAPPING SCREW	XAM-FF1410	88	LOCK RING	XAM-N20011
37	PANNED CYLINDRICAL SCREW 4,8X25	XAM-FF1425	89	NUT M12	XAM-N20012
38	PANNED CYLINDRICAL SCREW 4,8x50	XAM-FF1450	90	STATOR 2400W A-22..	XAM-N24013
39	SET SCREW M5x10	XAM-FIK051	91	COVER GEAR BOX CARAT	XAM-N20015
40	COUNTERSUNK SCREW 3,5x8	XAM-FQ2408	92	SWITCH LEVER	XAM-N20016
41	SHIM RING 18MM	XAM-FR0180	93	SOFT-GRIP	XAM-N20019
42	SHIM RING 24mm	XAM-FR0240	94	COVER PLATE BACKSIDE A-20.. & A-22..	XAM-N20026
43	SHIM RING 25mm	XAM-FR0250	95	ELECTRO-UNIT 2000W	XAM-N20028/22
44	SHIM RING 40mm	XAM-FR1400	96	SWITCH 10A	XAM-N20030
45	CIRCLIPS A-2011	XAM-FR4140	97	GRIP PART RIGHT SIDE A-20.. & A-22..	XAM-N20034
46	DISC SPRING FOR A-20.. & A-22..	XAM-FR6280	98	GRIP PART LEFT SIDE A-20.. & A-22..	XAM-N20035
47	SHIM RING 14x20	XAM-FS14P2	99	CABLE 0,5 METER	XAM-N20037
48	SHIM RING 18X25	XAM-FS18P2	101	EARTH CABLE SIDE GRIP	XAM-N20040
49	SHIM RING 25x35	XAM-FS25P2	102	CLUTCH COMPLETE	XAM-N20041
50	TOOTHED SPRING RING M4	XAM-FV04TV	103	GRIP COMPLETE	XAM-N20042
51	CYLINDRICAL SCREW M4x10	XAM-FZ4110	104	CONDENSER INCLUDING FASTONS	XAM-N20044

