



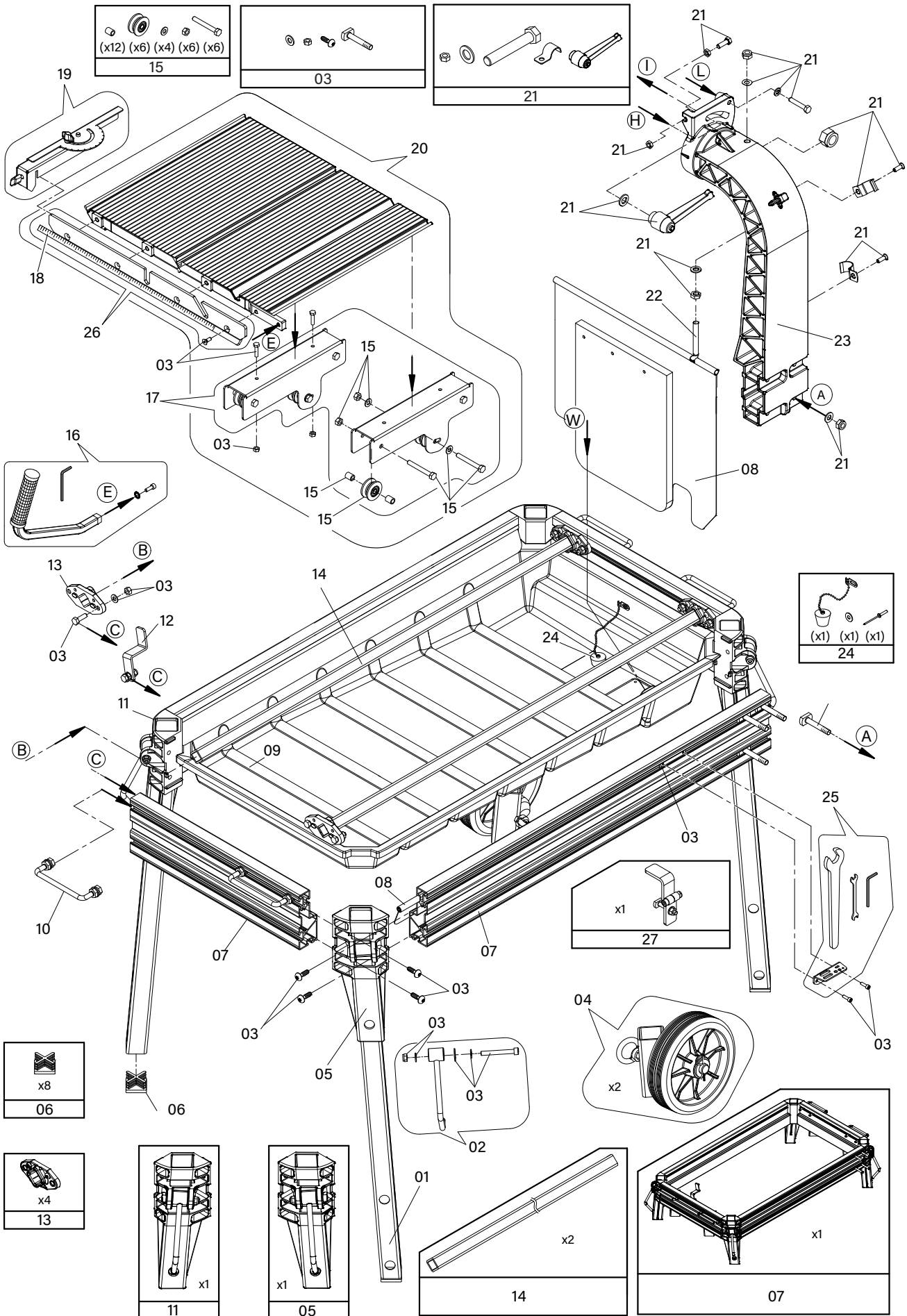
CARAT

T-6010 XL 230V FRAME

ART. NR:

BT601023XL

DATUM:



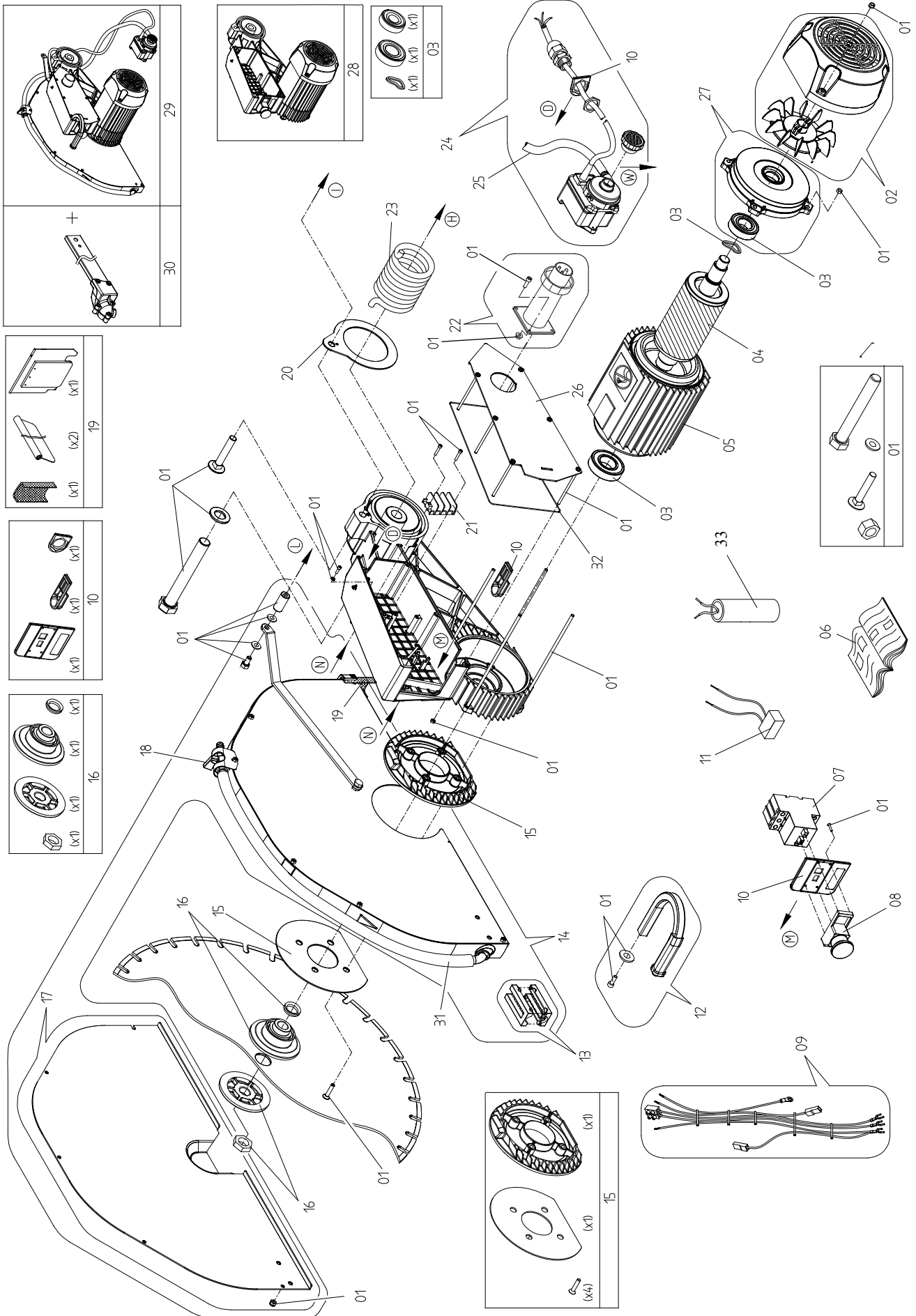


CARAT

T-6010 230V MOTOR

ART. NR: BT601023XL

DATUM:



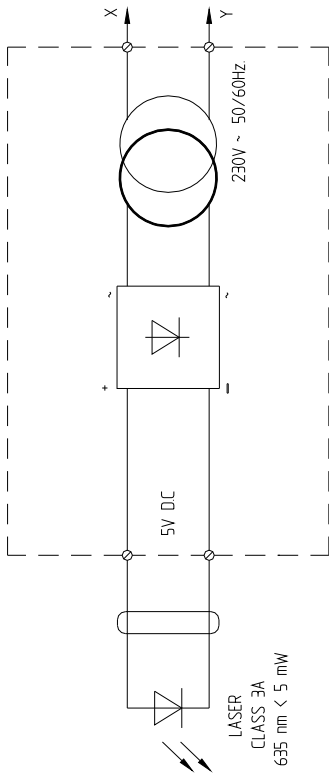
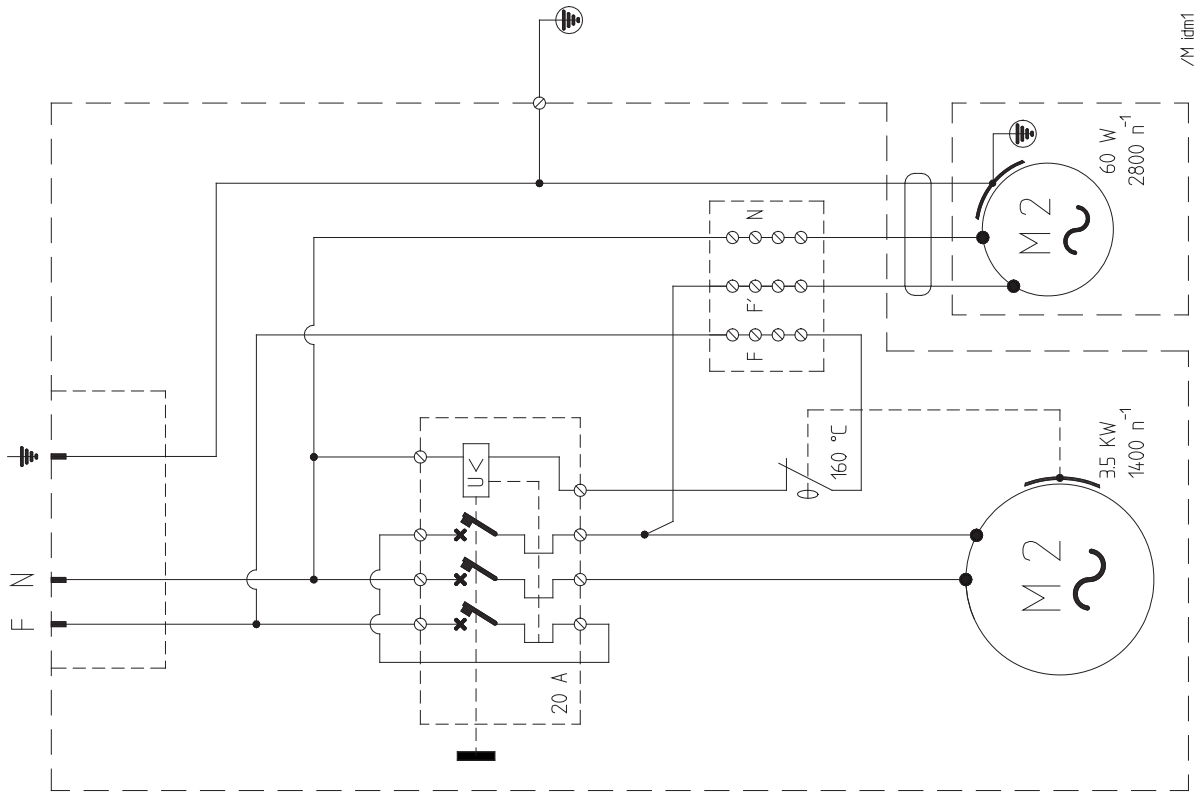


T-6010 XL 230V FRAME

POS.	OMSCHRIJVING	ONDERDEELNR
1	SET POTEN COMPL.	XSPC90034000
2	BLOKKEERHENDEL COMPL. TBV POOT	XSPC90039000
3	SCHROEVEN/MOERENSET TBV FRAME	XSPC90157000
4	WIELSTEL COMPL.	XNB90102R000
5	HOEKPROFIEL RECHTS INCL. BLOKKEERHENDEL	XSPC90120000
6	KUNSTSTOF DOPPENSET TBV POTEN	XSPC90090000
7	ALUMINIUM FRAME COMPLEET	XSPC90008/85/C
8	SET SPATLAPPEN	XSPC96130000
9	WATERBAK	XSPC90135/85
10	HANDGREEP COMPL.	XSPC90119000
11	HOEKPROFIEL LINKS INCL. BLOKKEERHENDEL	XSPC90121000
12	ZAAGWAGENBLOKKERING COMPL.	XSPC90118000
13	SET RAILHOUDERS	XSPC90011000
14	SET RAILS	XSPC90413000
15	WIELSET COMPL. TBV ZAAGWAGEN	XSPC90122000
16	HANDGREEP ZAAGWAGEN COMPL.	XSPC90335000
17	WIELSTEL INCL. HOUDERS TBV ZAAGWAGEN	XSPC90123000
18	CENTIMETERVERDELING ZAAGWAGEN	XSPC90050000
19	VARIABELE MATERIAALAANSLAG COMPL.	XSPC90107000
20	ZAAGWAGEN COMPL.	XSPC96106/1
21	SCHROEVEN/MOERENSET TBV ZAAGARM	XSPC90069000
22	HOUDER GROTE SPATLAP	XSPC90320000
23	ALUMINIUM ZAAGARM	XSPC90303000
24	WATERSTOP COMPL.	XSPC84025000
25	GEREEDSCHAPSET COMPL.	XSPC03032000
26	VOORAANSLAG COMPL.	XSPC90024000
27	BLOKKEERHENDEL	XSPC90340000

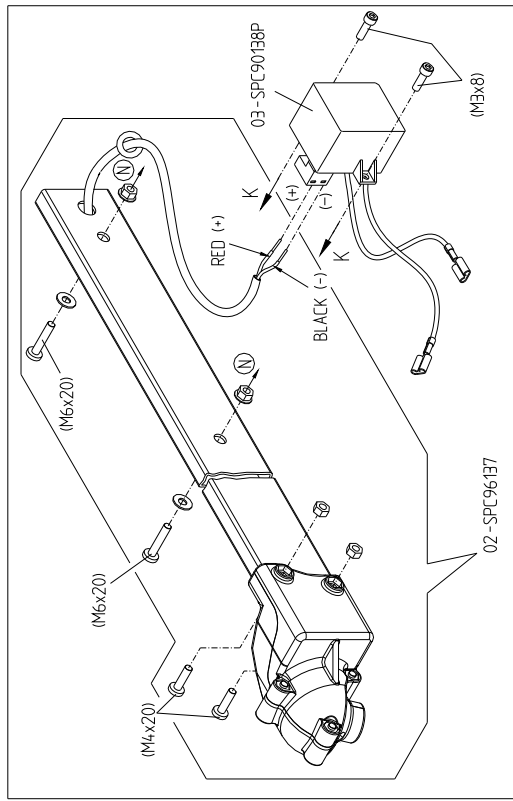
T-6010 230V MOTOR

POS.	OMSCHRIJVING	ONDERDEELNR
1	SCHROEVEN/MOERENSET TBV MOTOR	XSPC90325000
2	VENTILATOR + KAP	XSPC90306000
3	LAGER/RINGENSET TBV MOTOR	XSPC90319000
4	ANKER COMPL. 230V	XSPC90423000
5	VELD 230V COMPL.	XSPC96098/M
6	HANDLEIDING	XSPC96134000
7	SCHAKELAAR 230V	XSPC90329/M
8	NOODSTOP	XSPC90333000
9	KABELBOOM	XSPC90330/M
10	SET MONTAGEPLAATJES	XSPC90304000
11	SPOEL TBV SCHAKELAAR	XSPC90329-10
12	HANDGREEP COMPL.	XSPC90104000
13	SPROEIVORK COMPL.	XSPC90016000
14	ZAAGKAP COMPL. Ø600MM	XSPC96103000
15	SET MONTAGERINGEN TBV ZAAGKAP	XSPC90311000
16	FLENZENSET COMPL.	XSPC90402000
17	PLAAT TBV ZAAGKAP Ø600MM	XSPC90309
18	WATERKRAAN COMPL.	XSPC90153000
19	SET SPATLAPPEN	XSPC96130000
20	RVS FRICTIERING	XSPC90312000
21	ELECTRO-UNIT	XSPC90079000
22	OPBOUWSTEKKER COMPL. 230V	XSPC90076/M
23	VEER TBV HOOGTE-INSTELLING	XSPC90044000
24	WATERPOMP TYPE P-3 COMPL.	XWPE030000
25	WATERSLANG	XSPC90326000
26	MONTAGEPLAAT MOTOR	XSPC90313/M
27	AFDEKKAP TBV VELD COMPL.	XSPC96056000
28	MOTOR COMPL. 230V	XSPC96105/M
29	ZAAGKOP COMPL. 230V	XSPC96108/M
31	WATERSLANG	XSPC90326000
32	DICHTING MONTAGEPLAAT MOTOR	XSPC90059000
33	CONDENSATOR 25MF	XSPC09025/01



Laser

LASER
CLASS 3A
635 nm < 5 mW



01-96109

C sp. v4

/M idm1