

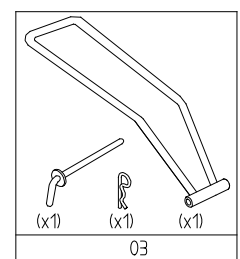
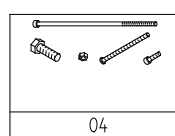
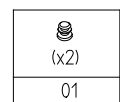
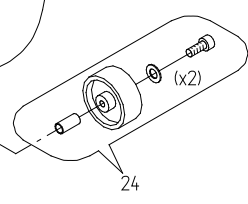
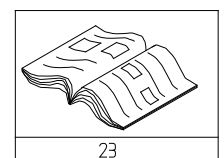
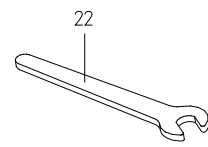
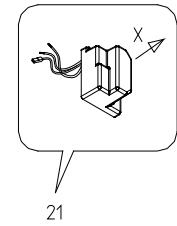
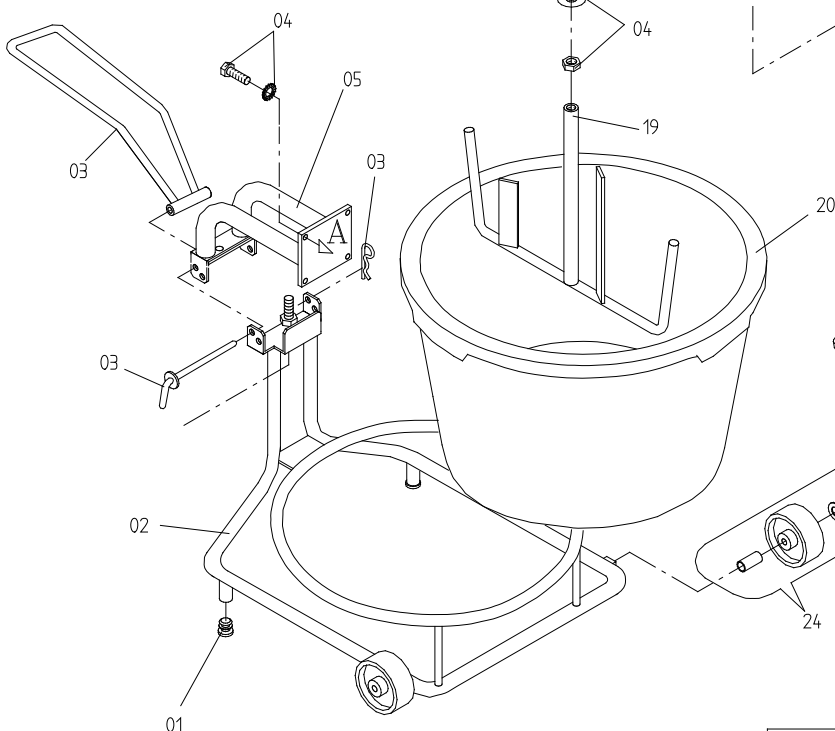
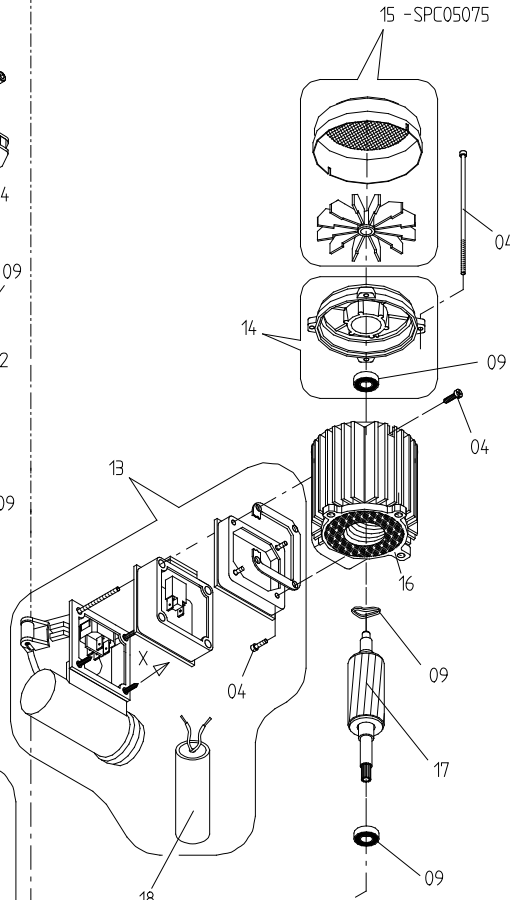
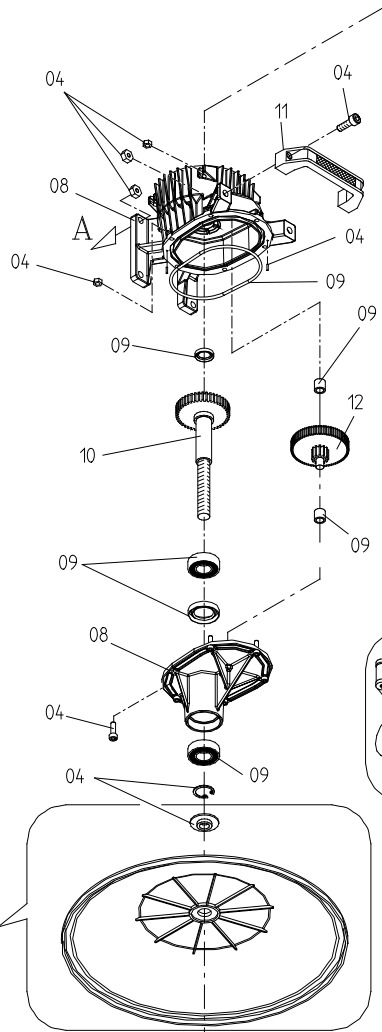
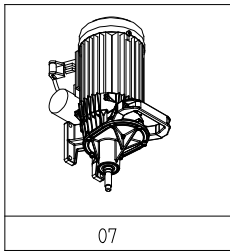
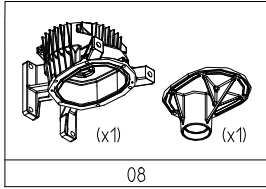
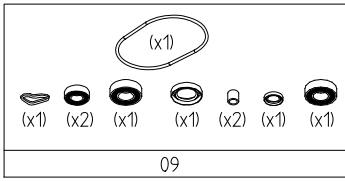


CARAT

MIXER 50 SUPER

ART. NR:
DATUM:

BUI005S000
01/01/2012





CARAT

MIXER 50 SUPER

| POS. | OMSCHRIJVING | ONDERDEELNR |
|------|----------------------------|--------------|
| 1 | RUBBER DOP CHASSIS | XSPC05070000 |
| 2 | CHASSIS COMPL. | XSPC05004C00 |
| 3 | DUWBEUGEL COMPL. | XSPC05012C00 |
| 4 | SCHROEVEN/MOERENSET | XSPC05022000 |
| 5 | MOTORBEUGEL COMPL. | XSPC05003000 |
| 6 | AFDEKPLAAT COMPL. | XSPC05023000 |
| 7 | MOTOR COMPL. 230V | XSPC05055CS0 |
| 8 | TANDWIELBAK COMPL. | XSPC05045000 |
| 9 | LAGER/RINGENSET | XSPC05057000 |
| 10 | TANDWIELAS | XSPC05031000 |
| 11 | KUNSTSTOF HANDGREEP | XSPC03055000 |
| 12 | TANDWIEL | XSPC09030000 |
| 13 | ELEKTR. AANSLUITING COMPL. | XSPC05071S00 |
| 14 | VELD COMPL. 230V | XSPC05001-13 |
| 15 | VENTILATOR + KAP | XSPC05075000 |
| 16 | VELD 230V | XSPC05001-1S |
| 17 | ANKER | XSPC05001-2S |
| 18 | CONDENSATOR 20Mf | XSPC05071-7S |
| 19 | GARDE | XSPC05001000 |
| 20 | KUIP 65L. | XSM036-000 |
| 21 | SCHAKELAAR | XSPC05083R00 |
| 22 | STEEKSLEUTEL 22 | XSPC05009000 |
| 23 | HANDLEIDING | XSPC05066000 |
| 24 | WIELSET COMPL. | XSPC80044000 |