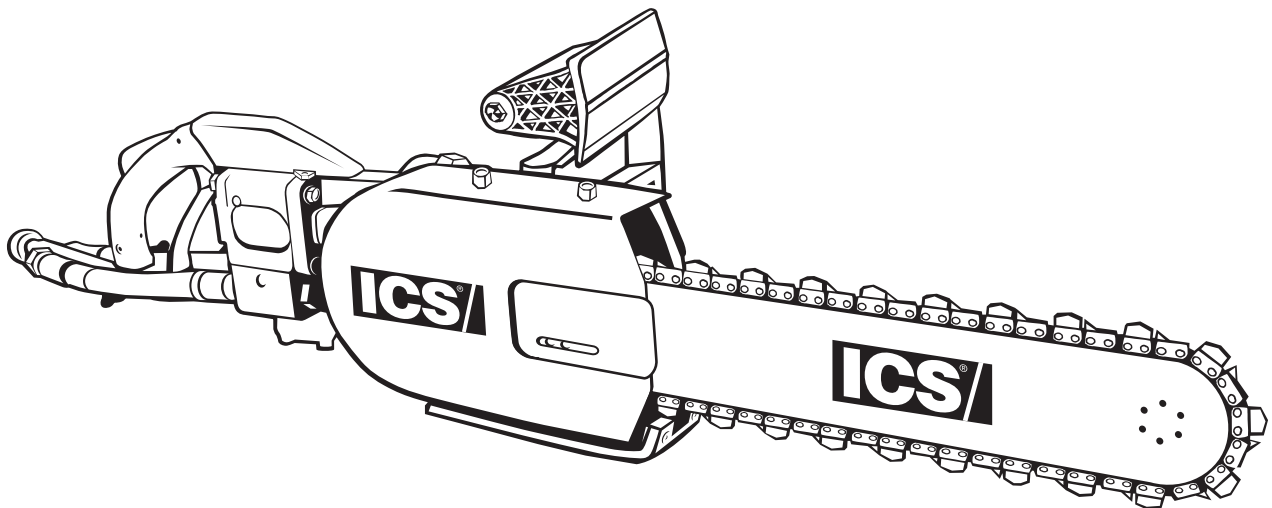




# Replacement Parts & Accessories Price List



## 880F4 Series Hydraulic Concrete Saw (880F4 & 880F4-FL Flush Cut Saw Models)

Effective January 1, 2013

# TABLE OF CONTENTS

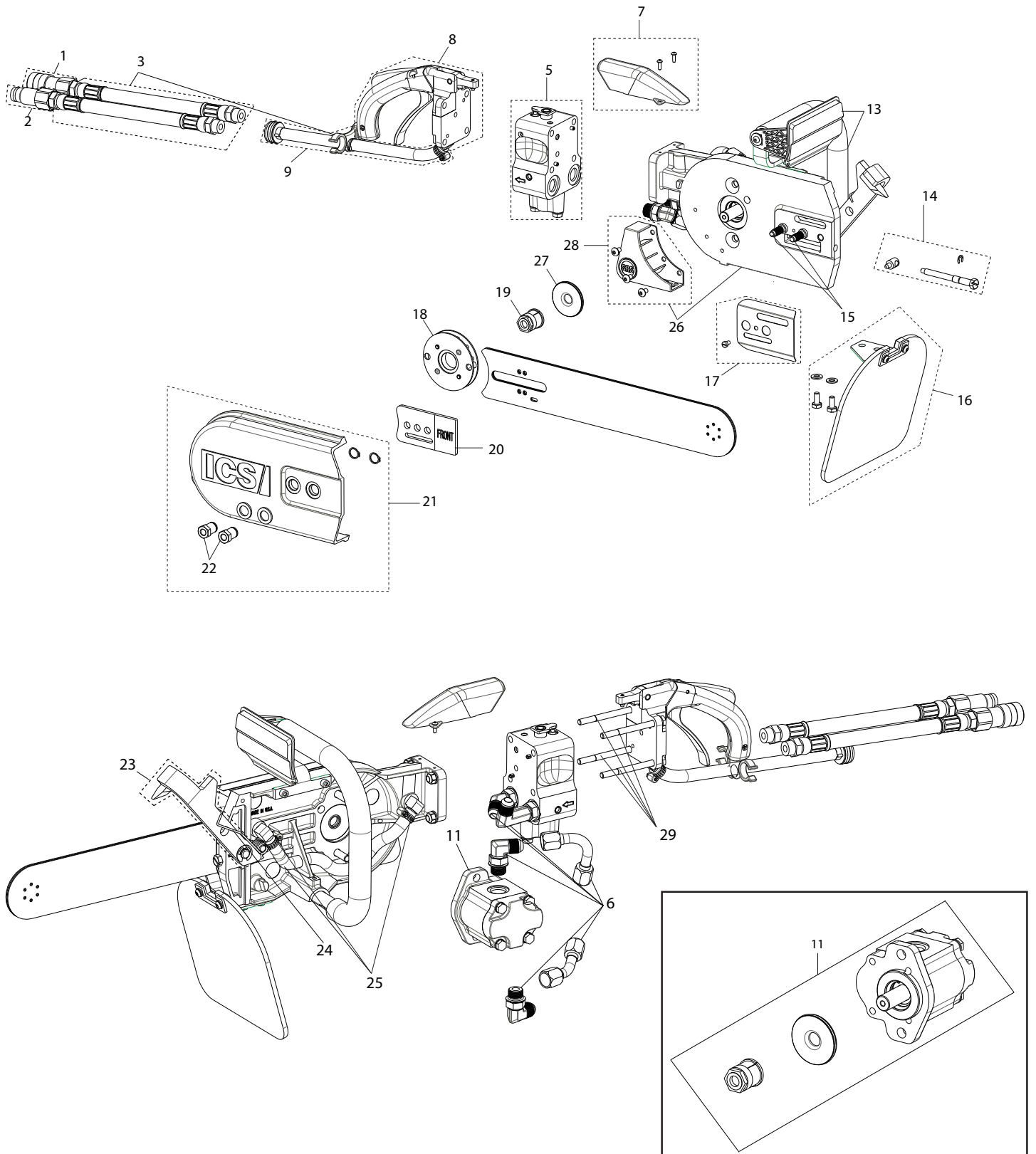
## 880F4 Series Hydraulic Concrete Saw

ITEM DESCRIPTION	KEY	PAGE
880F4 Hydraulic Saw Service Parts & Kits	n/a	2
880F4 Hydraulic Saw Assembly	A	3-4
880F4-FL Flush Cut Hydraulic Saw Assembly	B	5-6

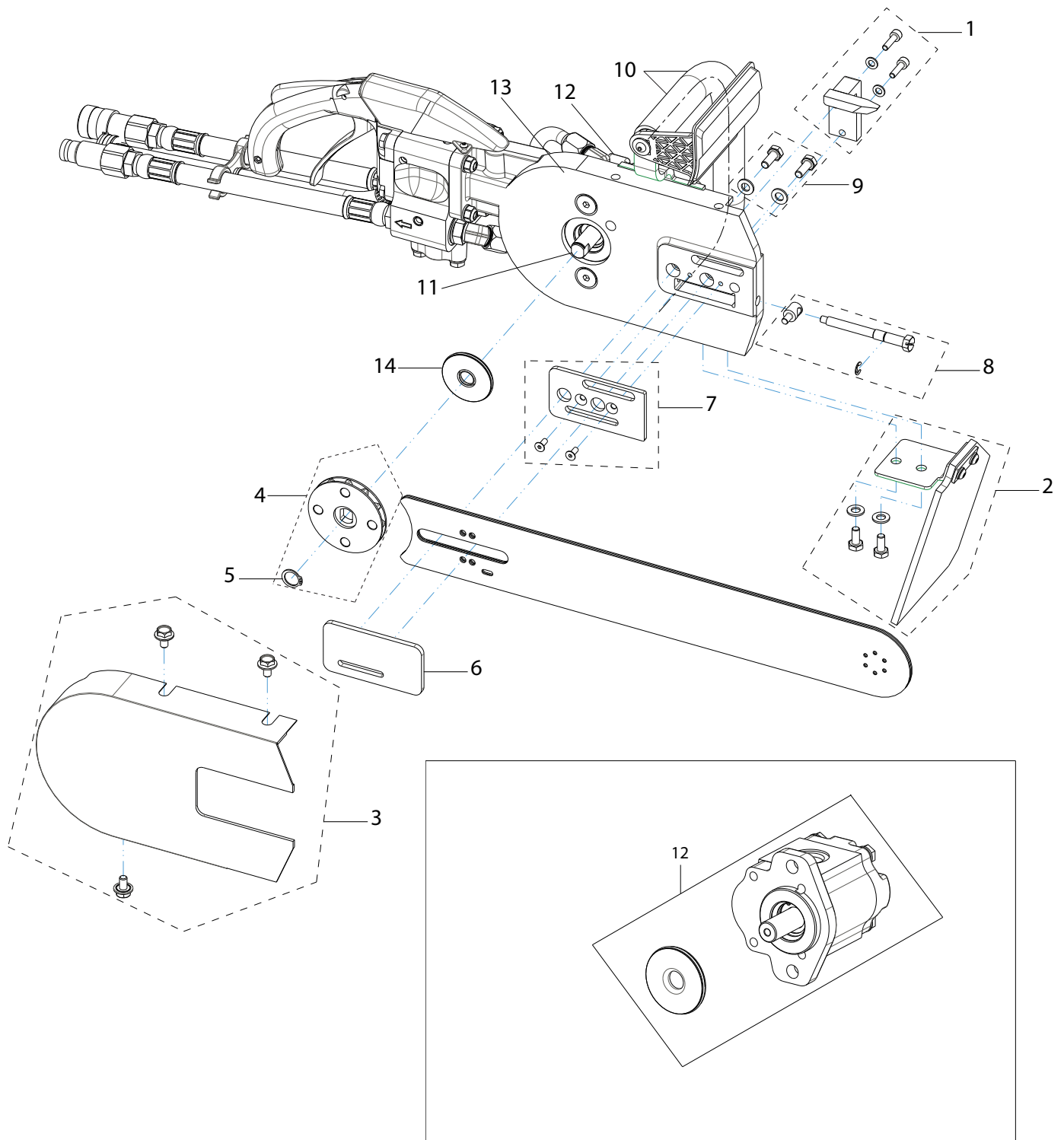
# SERVICE PARTS & KITS

## 880F4 Series Hydraulic Concrete Saw

Part No.	Description
70619	880F4, 880F4-FL Tensioning Screws, Hydraulic Saws
71526	880F4, 880F4-FL, 853PRO Hydraulic Valve Spool Kit
72296	880F4, 880F4-FL, 853PRO Hydraulic Valve Seal Kit
72347	880F4, 880F4-FL, 853PRO Hydraulic Trigger Lock-Out Spring & Pin Kit
506026	880F4, 880F4-FL, 853PRO Hydraulic Trigger & Lock-Out Kit
507407	880F4, 880F4-FL, 853PRO Hydraulic Front Handle Fastener Kit
518869	880F4, 880F4-FL Hydraulic Water Valve Kit, includes clip, plunger, spring, ball & water bridge spindle
532735	880F4 Conversion Kit 8 gpm (30 lpm)
532736	880F4 Conversion Kit 12 gpm (45 lpm)
528594	880F4, 880F4-FL Motor Seal Kit
528592	880F4 Shaft Kit w/ Motor Seals (8 gpm)
528590	880F4 Shaft Kit w/ Motor Seals (12 gpm)
540291	880F4 Side Cover Gasket
72342	880F4, 880F4-FL, 853PRO Hydraulic Motor Bolt Kit
540290	880F4, 880F4-FL Hydraulic End Cap Set
528555	880F4, 880F4-FL Trigger Cover with levels
72344	880F4, 880F4-FL Valve Bolt Kit



Key #	Part No.	Description
1	71916	880F4, 853PRO QD, Female, with O-Ring, Kit
2	71917	QD Male with O-Ring
3	70629	880F4, 853PRO Hydraulic Pigtail Kit
5	528553	880F4 Hydraulic Valve Replacement
6	532400	880F4 Hydraulic Plumbing Replacement Kit
7	528554	880F4 Trigger Cover Kit, Black
8	528556	880F4 Rear-Handle Replacement Kit
9	72345	880F4, 853PRO Water Hose Kit
11	528557	880F4 8 gpm (30 lpm) Hydraulic Motor Replacement Kit
11	528558	880F4 12 gpm (45 lpm) Hydraulic Motor Replacement Kit
12 (not shown)	72342	880F4 Motor bolt kit
13	71153	880F4, 853PRO 8 gpm (30 lpm) Front Handle Assembly
13	71536	880F4, 853PRO 12 gpm (45 lpm) Front Handle Assembly
14	70636	880F4, 853PRO Tensioner Kit
15	72349	880F4, 853PRO Series Bar Mounting Studs
16	72408	880F4, 853PRO Series Guard Flap Assembly
17	70627	880F4, 853PRO Bar Mount Cover Plate
18	525495	880F4 Sprocket
19	528561	880F4 Trantorque® Shaft Adaptor 5/8 in (16 mm)
20	70628	880F4, 853PRO Bar Retaining Plate
21	528564	880F4 Side Cover Replacement Kit
22	70639	880F4, 853PRO Cover Retaining Nuts (set of 2)
23	70641	880F4, 853PRO WallWalker Replacement Kit
24	70640	880F4, 853PRO WallWalker Spring
25	72346	Front Water Hose Kit
26	528562	880F4 Main Frame
27	528563	880F4 External Shaft Seal Kit
28	512592	Baffle Drain Replacement Kit
29	72344	880F4 Valve Bolt Kit



Key #	Part No.	Description
1	524673	880F4-FL, 853PRO-FL WallWalker Spike Kit
2	524652	880F4-FL, 853PRO-FL Guard Flap Assembly Kit
3	532515	880F4-FL Side Cover Kit
4	549761	880F4-FL Sprocket (includes Snap ring)
5	549796	880F4-FL Snap ring
6	524657	880F4-FL, 853PRO-FL Bar Clamp Plate Kit, includes Key #9
7	523945	880F4-FL, 853PRO-FL Spacer Plate Kit
8	523946	880F4-FL, 853PRO-FL Tensioner Kit
9	524658	880F4-FL, 853PRO-FL Bar Clamp Bolt Kit
10	523947	880F4-FL, 853PRO-FL Front Handle Kit
11	549762	880F4-FL Shaft Kit w/ Motor Seals 8 gpm (30 lpm), includes Key #14
11	549764	880F4-FL Shaft Kit w/ Motor Seals 12 gpm (45 lpm), includes Key #14
12	549763	880F4-FL Replacement Motor Kit 8 gpm (30 lpm), includes Key #14
12	549793	880F4-FL Replacement Motor Kit 12 gpm (45 lpm), includes Key #14
13	532512	880F4-FL Mainframe Replacement Kit
14	528563	External Shaft Seal
		* All other replacement parts are the same as 880F4
		**Replacement parts for Rear Handle and Trigger are listed on page 2

**880F4 Series Replacement Parts & Accessories Price List**

**ICS, Blount Europe, SA  
Rue Emile Francqui, 5  
1435 Mont-Saint-Guibert, Belgium  
Tel +32 10 301 251 Fax +32 10 301 259  
europe.marketing@icsbestway.com  
icsbestway.com**