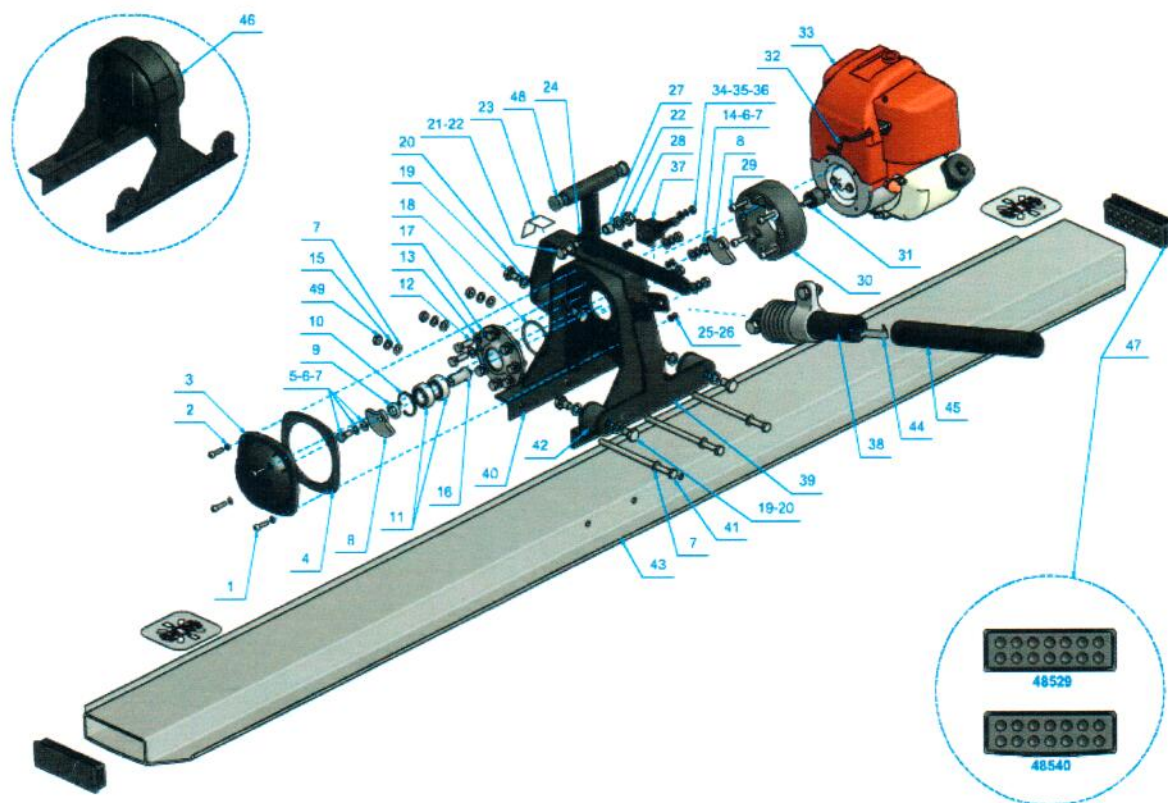


Parts of
OSCILLATING SCREED Unit QZGH - 348509

Review 1. From serial number nr. 85338401

View VIBRATING GROUP QZ



| | ARTICLE | QUANTITY | DESCRIPTION | UNITS |
|----|----------|----------|-----------------------------------|-------|
| 1 | 102306 | 4 | ALLEN BOLT M 5x20 DIN 912 8.8 | |
| 2 | 102106 | 4 | FLAT WASHER 5 DIN 125 | |
| 3 | 48333 | 1 | ECCENTRICS HOUSING | |
| 4 | 48334 | 1 | ECCENTRIC HOUSING JOINT | |
| 5 | 102433 | 1 | HEXAGONAL BOLT M 8x15 DIN 933 8.8 | |
| 6 | 102118 | 5 | STAR WASHER 8,4 A DIN 6798 | |
| 7 | 102116 | 11 | FLAT WASHER 8 DIN 125 | |
| 8 | 48117 | 2 | ECCENTRIC | |
| 9 | 48309 | 1 | SPACER | |
| 10 | 103277 | 1 | INTERNAL CIRCLIP I 35 DIN 472 | |
| 11 | 101161 | 2 | BEARING 6202 2V C4 | |
| 12 | 102439 | 8 | HEXAGONAL BOLT M 8x25 DIN 933 8.8 | |
| 13 | 107301 | 8 | SPRING PLATE 16 A DIN 2093 | |
| 14 | 102208 | 4 | HEXAGONAL NUT M 8 DIN 934 8.8 | |
| 15 | 102158 | 3 | GROWER WASHER 8 B DIN 127 | |
| 16 | 48118 | 1 | ECCENTRIC AXLE | |
| 17 | 48120 | 1 | BEARING SUPPORT | |
| 18 | 101807 | 1 | O-RING 52x3 | |
| 19 | 102457CB | 6 | HEXAGONAL BOLT M10x15 DIN 933 8.8 | |
| 20 | 102159 | 6 | GROWER WASHER 10 B DIN 127 | |
| 21 | 102455 | 1 | HEXAGONAL BOLT M10x30 DIN 933 8.8 | |
| 22 | 102120 | 2 | FLAT WASHER 10 DIN 125 | |
| 23 | 107228 | 1 | SAFETY STICKER | |
| 24 | 48511 | 1 | TIE ROD | |
| 25 | 102205 | 4 | HEXAGONAL NUT M 5 DIN 934 5.6 | |
| 26 | 102156 | 4 | GROWER WASHER 5 B DIN 127 | |
| 27 | 48523 | 1 | TIE ROD BUSH | |
| 28 | 102236 | 1 | SAFETY NUT 10x150 DIN 985 | |
| 29 | 102318 | 4 | ALLEN BOLT M 6x25 DIN 912 8.8 | |
| 30 | 48116 | 1 | FLASTIC COUPLING | |

| | | | |
|----|--------|---|-----------------------------------|
| 31 | 107279 | 1 | SHOCK ABSORBER Ø25x20 MM M6x12 |
| 32 | 48531 | 1 | THROTTEL CABLE QZGH |
| 33 | 48343 | 1 | ENGINE ASSEMBLY H + SUPPLEMENT |
| 34 | 102206 | 1 | HEXAGONAL NUT M 6 DIN 934 8,8 |
| 35 | 102112 | 1 | STAR WASHER 6,4 A DIN 6798 |
| 36 | 102110 | 1 | FLAT WASHER 6 DIN 125 |
| 37 | 107092 | 1 | DRIVING CONTROL REF. 599 |
| 38 | 48516 | 1 | ROTATING CONTROL ASSEMBLY |
| 39 | 48537 | 1 | MOTOR FRAME ARTICULATION |
| 40 | 48535 | 1 | ECCENTRIC SUPPORT ASSEMBLY |
| 41 | 102428 | 3 | HEXAGONAL BOLT M8x150 DIN 931 8.8 |
| 42 | 107202 | 3 | BUSHING D=40 L=30 HH M10 |
| 44 | 107238 | 1 | LOCATION PIN A-150 |
| 45 | 48517 | 1 | HANDLE |
| 46 | 48571 | 1 | UPDATE ASSEMBLY Rev.1 QZ |
| 47 | 48529 | 2 | CAP RUBBER |
| 47 | 48540 | 2 | CAP RUBBER |
| 48 | 107412 | 2 | PLUG |
| 49 | 102214 | 3 | SAFETY NUT M 8 DIN 985 |