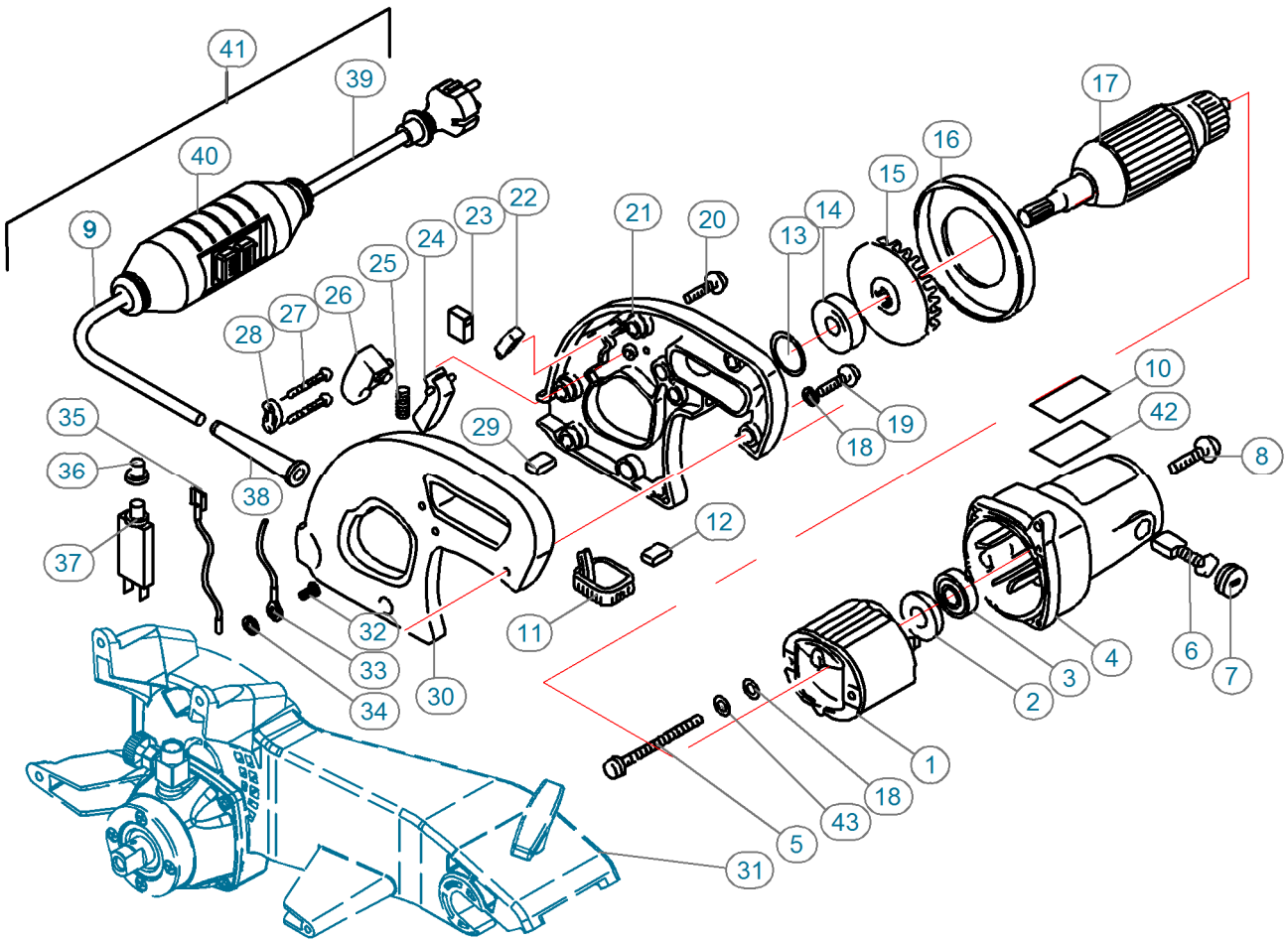


Parts List

ITEM	QTY	PART NUMBER	DESCRIPTION	REVISION
1	1	XAME4006A0	O-Ring	
2	1	XAME4020C0	Quadring	
3	1	XAMF201500	GARDENA Universal Adapter G1/4"	
4	1	XAMF412950	Cover	
5	1	XAMF433400	Valve	
6	1	XAMF433410	Flow Adjustment 1/4" Bu/Bi	
7	1	XAMFB20300	Hex-Head Bolt	
8	4	XAMFBC8160	Cylinder Head Cap Screw	
9	1	XAMFS06C10	Washer	
10	1	XAMFS10Z00	Washer	
11	1	XAMFS12000	Washer	
12	2	XAMFZ06120	Countersunk screw	
13	1	XAMN140270	Grip	
14	1	XAMN140810	Waterhose	
15	1	XAMN14082CP	Flow Indicator Blue	
16	1	XAMNH11010	Bolt (metric fine 10.9)	
17	1	XAMNH20000MC	Motor	
18	1	XAMNH20017CA	Cover ø540 (CARAT)	
19	1	XAMNH20017CAC	Cover ø540 Assembly (Incl. pos: 4,7,8,9,11,12,13,18,22,24,25)	
20	1	XAMNH20020	Main Flange ø30mm	
21	1	XAMNH20021	Locking Flange	
22	1	XAMNH20025	Cover	
23	1	XAMNH20026	Spacer Seal	
24	1	XAMNH20032	Spray Control	
25	2	XAMNH20033	Clamping Sleeve	
26	1	XAME30A300	Shaft Seal Ring	
27	1	XAME30A320	Shaft Seal Ring	
28	1	XAMEA018A0	Deep groove ball bearings DIN 625 - 6001-2RSH	
29	1	XAMEA044A0	Bearing	
30	1	XAMEXR1030	Metal Shield	
31	1	XAMF400150	Wing Nut	
32	2	XAMF401310	kogelknop M8	
33	4	XAMFBC7160	Hexagon Socket Head Cap Screw	
34	1	XAMFG08080	Threaded Insert	
35	1	XAMFG12120	Threaded Insert	
36	2	XAMFI08250	Hexagon Socket Set Screw	
37	1	XAMFR01200	Spring Retaining Ring	
38	1	XAMFR14700	Retaining ring	
39	4	XAMFV60160	Hexagon Socket Countersunk Head Screw	
40	1	XAMNH1120	Slip Lock	
41	1	XAMNH11220	Clutch Spring (Large)	
42	1	XAMNH11230	Clutch Spring (Small)	
43	1	XAMNH1124ZW	Gear M5143	
44	1	XAMNH20006	Locking Shaft	
45	1	XAMNH20007	Main Shaft	
46	1	XAMNH20013	Gearbox	
47	1	XAMNH20016	Gearbox Cover	
48	1	XAMNH20019	Gasket	
49	1	XAMNH20029	Coverplate	
50	1	XAMNH20037	Clamping Bus	
51	1	XAMNH20038	Bushing	
52	1	XAMNH20039	Rod (depth)	
53	1	XAMNH20041	Grip (M10)	
54	1	XAMFM10P000	Hex Nut	



Type

MOTOR W5421 (page 2-2)

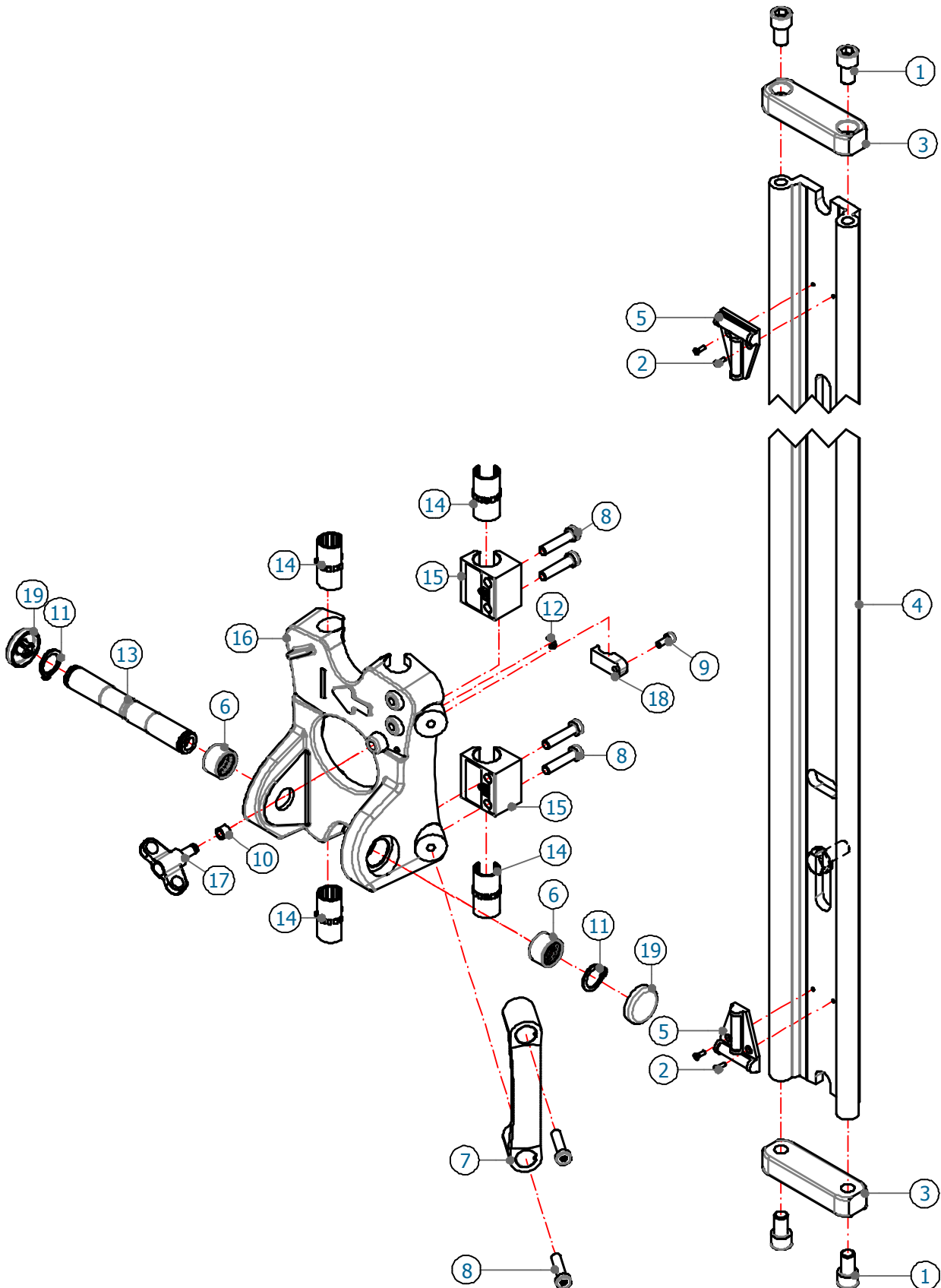
Date

08-06-2010

Part Num.

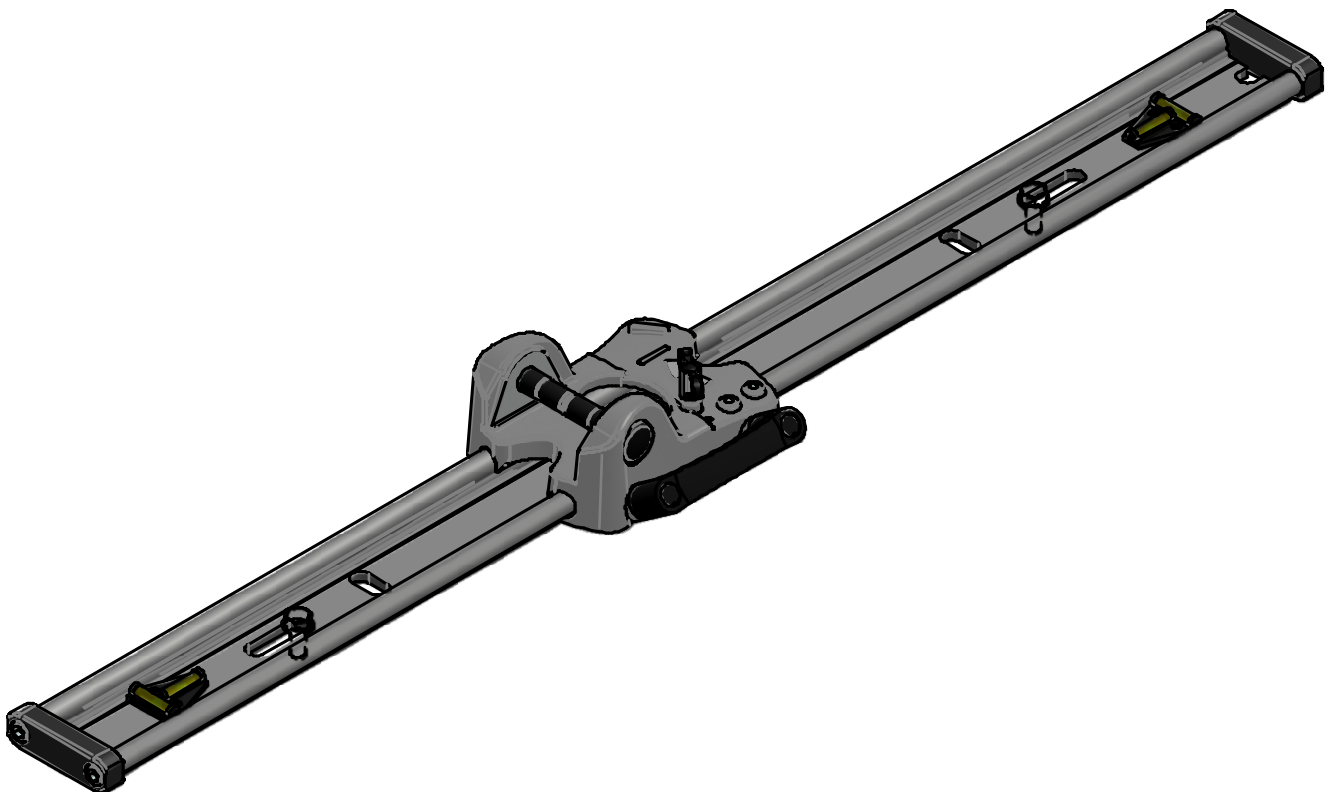
XAM-NH20000MC

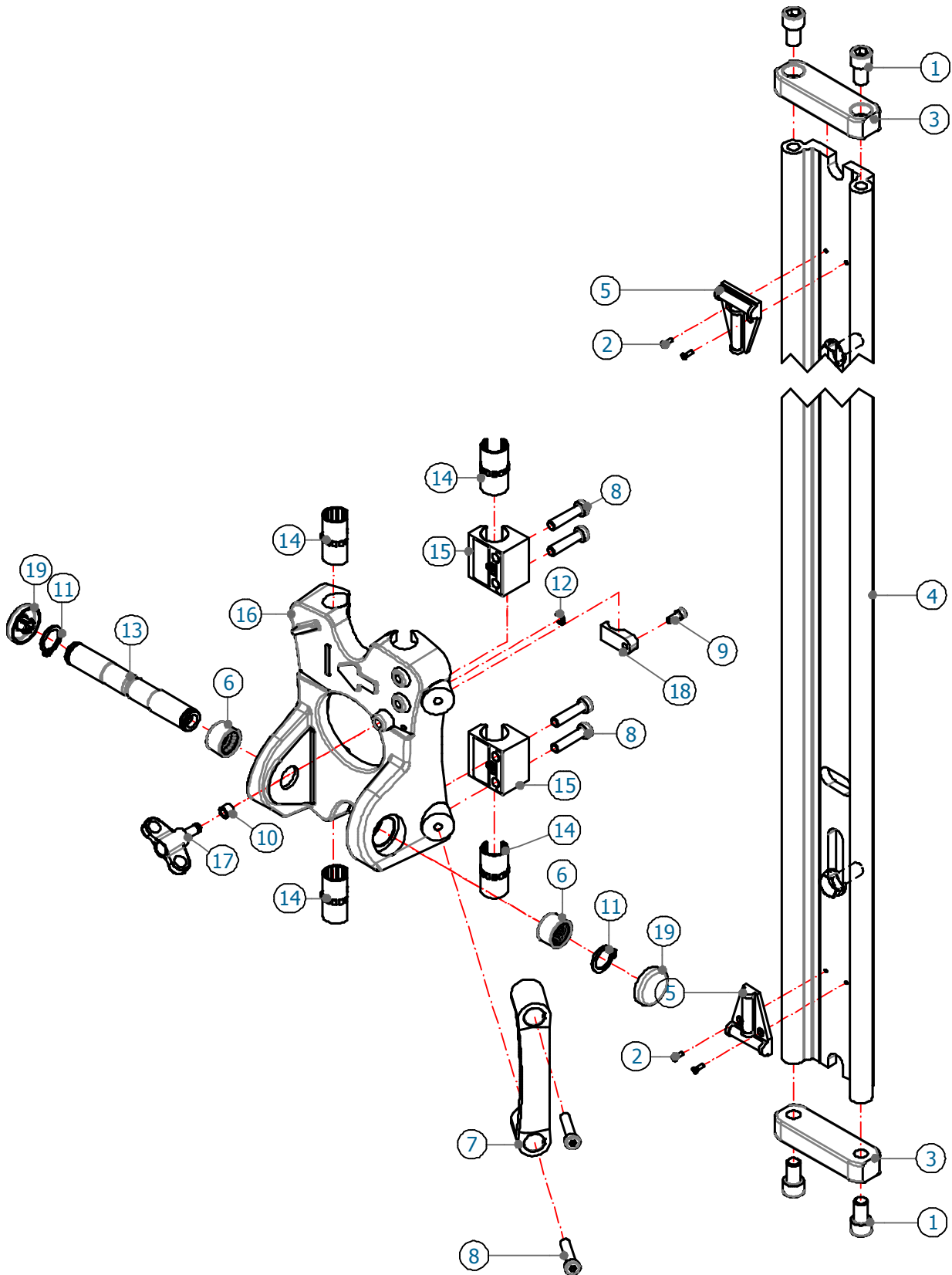
Item	Qty	PART No. Carat	Description	Revision Date
1	1	XAM-NH1165ZW	Field	
2	1	XAM-NH1172	Isolation ring	
3	1	XAM-EA007E	Roller Bearing	
4	1	XAM-NH1170ZW	Motorhousing	
5	2	XAM-FZ4290	Head Cap Screw	
6	2	XAM-NH1169	Brush CB-203	
7	2	XAM-NH1168	Brushholder Cap	
8	4	XAM-NH1167	Combi-screw	
9	1	XAM-6C6028	Electrocable	
10	1	XAM-N140281	Protection	
11	1	XAM-NH1138	Electronic	
12	1	XAM-NH1137A	Condensator	
13	1	XAM-E4032B	O-ring	
14	1	XAM-EA026C	Roller Bearing	
15	1	XAM-NH1161	Vin	
16	1	XAM-NH1162	Aircover	
17	1	XAM-NH1163ZW	Armature (Incl. Pos 2, 3)	
18	5	XAM-FS05	Washer	
19	3	XAM-FBC735	Bolt	
20	4	XAM-FF1425	Screw	
21	1	XAM-NH1132	Grip (Left & Right)	
22	1	XAM-NH1133	Safetyknob	
23	1	XAM-NH1136A	Switch Motorbreak	
24	1	XAM-NH1135	Switch Knob	
25	1	XAM-NH1134	Spring	
26	1	XAM-NH1136	Switch	
27	2	XAM-NH1144	Screw	
28	1	XAM-NH1145	Cableclamp	
29	1	XAM-NH1137	Condensator	
30	1		See Pos 21	
31	1	XAM-NH20013C	Gearbox (Assembly)	
32	1	XAM-FZ4110	Screw	
33	1	XAM-6C6031	Ground Cable	
34	2	XAM-FV04TV	Toothed Lock Washer	
35	1	XAM-6C6025	Electrocable (Thermal Sec.)	
36	1	XAM-A5028	Cover	
37	1	XAM-9Z3110	Thermal Switch 10 Amp	
38	1	XAM-NH1146	Tule	
39	1	XAM-6C6026	Electrocable	
40	1	XAM-9Q2024CP	Personal Safety switch	
41	1	XAM-6C6024CP	Cable Ass. Blue	
42	1		Serial Plate	
43	2	XAM-FV05S	Spring Lock Washer	





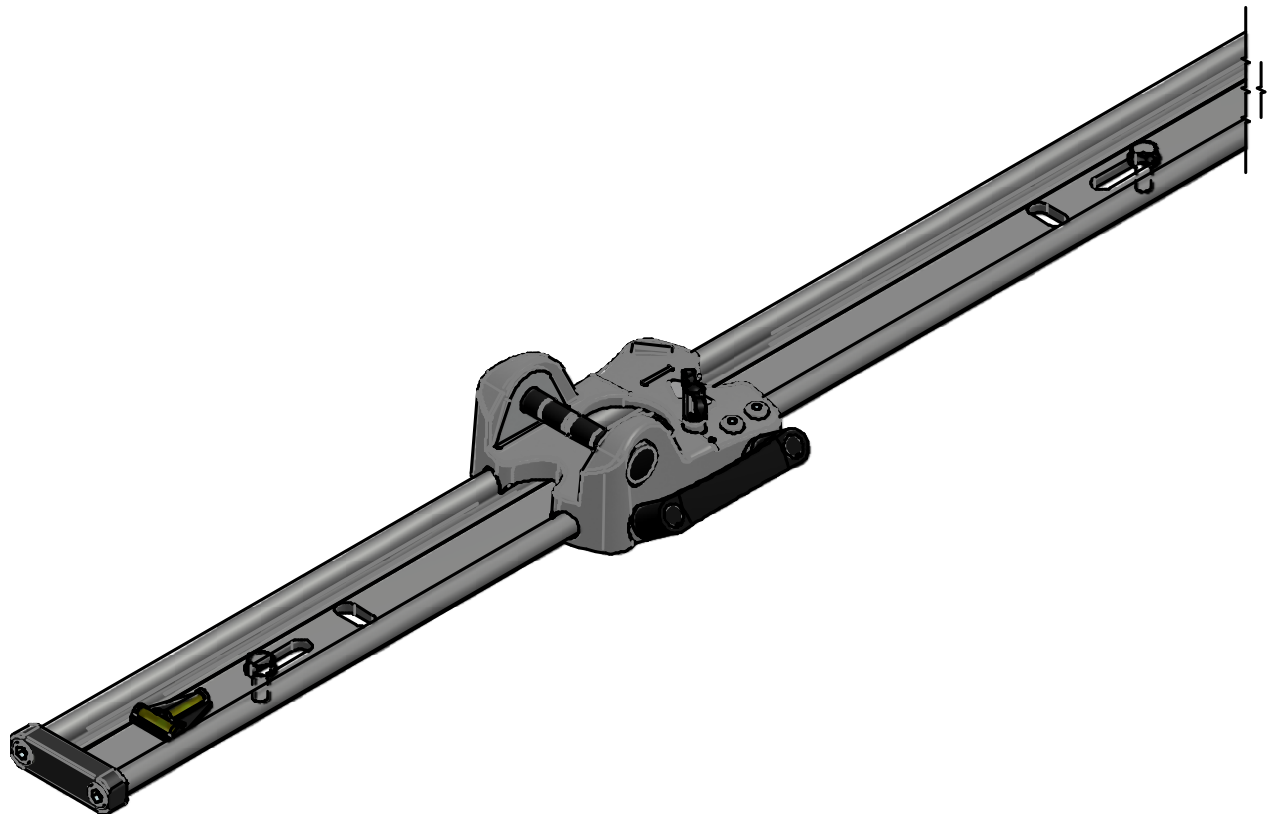
ITEM	QTY	PART No. Carat	DESCRIPTION
1	4	XAM-FA2020	Hexagon Socket Head Cap Screw
2	4	XAM-FZ0310	Countersunk Flat Head Screw
3	2	XAM-NH20002	End Stop
4	1	XAM-NH20003	Guide 1,3 meter
5	2	XAM-NH20005	Spirit Level
6	2	XAM-EB030B	Needle Bearing
7	1	XAM-F40418	Bridge Handle
8	6	XAM-FBB835	Cylinder Head Cap Screw
9	1	XAM-FBC712	Cylinder Head Cap Screw
10	1	XAM-FG0808	Threaded Insert
11	2	XAM-FR020	Spring Retaining Ring
12	1	XAM-FR205	Retaining Washer
13	1	XAM-NH20008	Locking Shaft
14	4	XAM-NH20009	Sliding Bush
15	2	XAM-NH20010	Sliding Block
16	1	XAM-NH20011	Sliding Base
17	1	XAM-NH20012	Wing nut
18	1	XAM-NH20014	Clamp
19	2	XAM-NH20015	Shaft Cover







ITEM	QTY	PART No. Carat	DESCRIPTION
1	4	XAM-FA2020	Hexagon Socket Head Cap Screw
2	4	XAM-FZ0310	Countersunk Flat Head Screw
3	2	XAM-NH20002	End Stop
4	1	XAM-NH20004	Guide 2,3 meter
5	2	XAM-NH20005	Spirit Level
6	2	XAM-EB030B	Needle Bearing
7	1	XAM-F40418	Bridge Handle
8	6	XAM-FBB835	Cylinder Head Cap Screw
9	1	XAM-FBC712	Cylinder Head Cap Screw
10	1	XAM-FG0808	Threaded Insert
11	2	XAM-FR020	Spring Retaining Ring
12	1	XAM-FR205	Retaining Washer
13	1	XAM-NH20008	Locking Shaft
14	4	XAM-NH20009	Sliding Bush
15	2	XAM-NH20010	Sliding Block
16	1	XAM-NH20011	Sliding Base
17	1	XAM-NH20012	Wing nut
18	1	XAM-NH20014	Clamp
19	2	XAM-NH20015	Shaft Cover





ITEM	QTY	PART NUMBER	DESCRIPTION	REVISION
1	1	XAM-F41295	Cover	
2	1	XAM-FB2030	Hex-Head Bolt	
3	4	XAM-FBC816	Cylinder Head Cap Screw	
4	1	XAM-FS06C1	Washer	
5	1	XAM-FS12	Washer	
6	2	XAM-FZ0612	Countersunk screw	
7	1	XAM-N14027	Grip	
8	1	XAM-NH20017CA	Cover Ø540	
9	1	XAM-NH20025	Cover	
10	1	XAM-NH20032	Spray Control	
11	2	XAM-NH20033	Clamping Sleeve	

