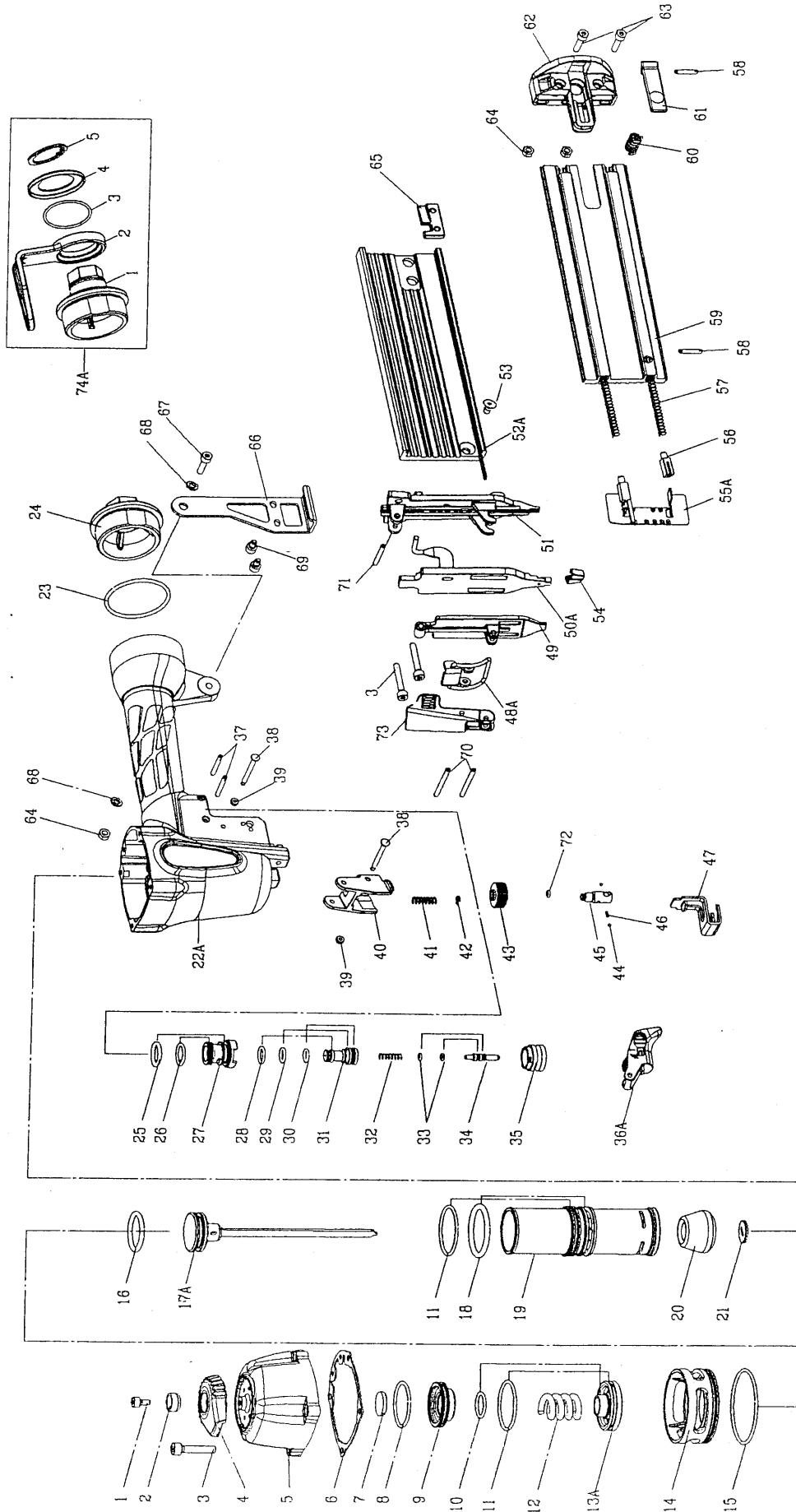


EXPLODED VIEW



Parts List

Item No.	Part No.	Description	Q'ty	Item No.	Part No.	Description	Q'ty
1	30104080466	Hex. Soc. Hd. Bolt	1	46	20771630000	Adjusting Spring	1
2	21030000001	Bushing,Deflector	1	47	22281480001	Contact Trip, Upper	1
3	30104200566	Hex. Soc. Hd. Bolt	6	48A	22941361101	SA, Door Latch	1set
4	21030010015	Deflector,Exhaust	1	49	21801410001	Door Spacer	1
5	214600201xx	Cap,Machined	1	50A	21801341301	Safety Lever Assy.	1set
6	21030130000	Gasket, Cap	1	51	21801350366	Nose	1
7	21030190017	Seal	1	52A	21462052006	Magazine Assembly	1set
8	30700123000	O-Ring	1	53	30505100166	Hex. Soc. Hd. Bolt	1
9	21030140016	Piston Stopper	1	54	21461580015	Rubber Pad	2
10	30700125000	O-Ring	1	55A	21802131201	Pusher	1
11	30700120000	O-Ring	2	56	21802940216	Spring Lock	1
12	21030160000	Spring	1	57	21802210001	Spring	2
13A	21030151316	Piston Head Valve Assy.	1set	58	30803100001	Pin	2
14	21030340116	Cylinder Spacer	1	59	21802200206	Magazine Cover	1
15	30700044000	O-Ring	1	60	21702330001	Spring	1
16	30700119000	O-Ring	1	61	20032280066	Latch	1
17A	21460572001	Driver Assy.(one piece)	1set	62	21462180015	Magazine Cap	1
18	30700013000	O-Ring	1	63	30104160166	Hex. Soc. Hd. Bolt	2
19	21460350000	Cylinder	1	64	30604070001	Locknut	3
20	21030470115	Bumper	1	65	20032220001	Magazine Cover Stopper	1
21	21030480101	Driver Guide	1	66	21462170066	Bracket	1
22A	208006025xx	Body Assembly	1 set	67	30104180166	Hex. Soc. Hd. Bolt	1
23	30700185000	O-Ring	1	68	30900010001	Flat Washer	2
24	207707x02xx	End Cap	1	69	30104080266	Hex. Soc. Hd. Bolt	2
25	30700079000	O-Ring	1	70	30803300001	Spring Pin	2
26	30700081000	O-Ring	1	71	30803180001	Spring Pin	1
27	20770900016	Valve	1	72	30700136000	O-Ring	1
28	30700002000	O-Ring	1	73	22943690215	Latch Cap	1
29	30700201000	O-Ring	1				
30	30700071000	O-Ring	1				
31	20770910016	Valve Plunger	1				
32	20770960001	Spring	1				
33	30700080000	O-Ring	2				
34	22220920100	Plunger	1				
35	20770930016	Plunger Cap	1				
36A	22320952115	Trigger Assembly	1 set	Optional Parts			
37	30803240001	Spring Pin	2	74A	20970832115	Belt Hook Assembly	1set
38	20460890001	Pin Trigger	2	74A-1	209707x00xx	End Cap	1
39	30700078000	Grommet	2	74A-2	20970830115	Belt Hook	1
40	22282840215	Guide, Contact Trip	1	74A-3	30700188000	O-Ring	1
41	21721490001	Spring, Safety	1	74A-4	20970840001	Cover Belt Hook	1
42	31303000001	E-Ring	1	74A-5	33425000001	C-Ring	1
43	20801600001	Adjusting Nut	1				
44	31200200000	Ball, Steel	2				
45	20801500101	Adjusting Post	1				

FDMBF1857-3#42321101100

8/11/2016