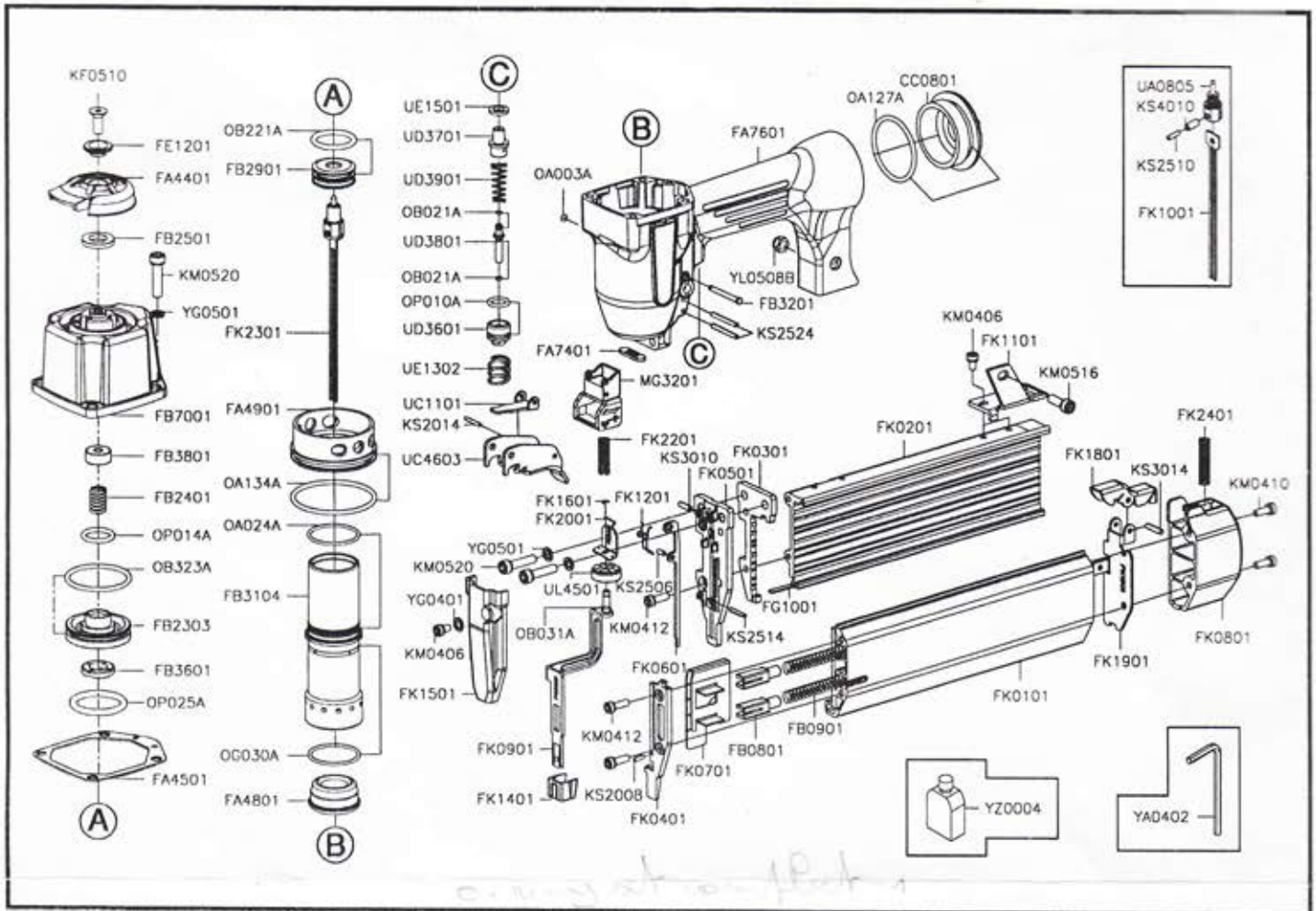


FACOMBI 90F18



Part No	Description	Spec	Qty	Part No	Description	Spec	Qty	Part No	Description	Spec	Qty
CC0801	END CAP		1	FK0901	SAFETY		1	MG3201	SAFETY GUIDE		1
FA4401	EXHAUST CAP		1	FK1001	DRIVER		1	OA003A	O-RING	ARP568-003	1
FA4501	CAP SEAL		1	FK1101	SUPPORT		1	OA024A	O-RING	ARP568-024	1
FA4801	BUMPER		1	FK1201	SPRING		1	OA127A	O-RING	ARP568-127	1
FA4901	COLLAR		1	FK1401	PLATE		1	OA134A	O-RING	ARP568-134	1
FA7401	NOZZLE		1	FK1501	TRIP COVER		1	OB021A	O-RING	1.8× 1.2	2
FA7601	BODY		1	FK1601	C-RING		1	OB031A	O-RING	3× 1	1
FB0801	PUSHER PIN		2	FK1801	LATCH		1	OB221A	O-RING	22× 3	1
FB0901	PUSHER SPRING		2	FK1901	STOP PLATE		1	OB323A	O-RING	31.8× 2.4	1
FB2303	HEAD VALVE PISTON		1	FK2001	SAFETY (B)		1	OG030A	O-RING	G30	1
FB2401	COMPRESSION SPRING		1	FK2201	SAFETY SPRING		1	OP010A	O-RING	P10	1
FB2501	PISTON STOP		1	FK2301	DRIVER ASSY.		1	OP014A	O-RING	P14	1
FB2901	MAIN PISTON		1	FK2401	LATCH SPRING		1	OP025A	O-RING	P25	1
FB3104	CYLINDER		1	KF0510	FLAT HD.BOLT	M5× 0.8-10L	1	UA0805	STEM		1
FB3201	TRIGGER PIN		1	KM0406	HEX.SOC.HD.BOLT	M4× 0.7-6L	3	UC1101	CONTACT LEVER		1
FB3601	PISTON STOP		1	KM0410	HEX.SOC.HD.BOLT	M4× 0.7-10L	2	UC4603	TRIGGER		1
FB3801	PISTON STOP		1	KM0412	HEX.SOC.HD.BOLT	M4× 0.7-12L	4	UD3601	TRIGGER VALVE GUIDE		1
FB7001	CYLINDER CAP		1	KM0516	HEX.SOC.HD.BOLT	M5× 0.8-16L	1	UD3701	TRIGGER VALVE SEAT		1
FE1201	EXHAUST CAP RING		1	KM0520	HEX.SOC.HD.BOLT	M5× 0.8-20L	6	UD3801	TRIGGER VALVE STEM		1
FG1001	BAR		1	KS2008	SPRING PIN	φ 2-8L	1	UD3901	SPRING		1
FK0101	MAGAZINE CAP		1	KS2014	SPRING PIN	φ 2-14L	1	UE1302	COMPRESSION SPRING		1
FK0201	MAGAZINE SEAT		1	KS2506	SPRING PIN	φ 2.5-6L	1	UE1501	SEAL		1
FK0301	GUIDE PLATE		1	KS2510	SPRING PIN	φ 2.5-10L	1	UL4501	ADJUSTING ROLL		1
FK0401	FRONT PLATE		1	KS2514	SPRING PIN	φ 2.5-14L	1	YA0402	HEX BAR WRENCH	D4	1
FK0501	COVER PLATE		1	KS2524	SPRING PIN	φ 2.5-24L	2	YG0401	SPRING WASHER	φ 4	1
FK0601	GUIDE PLATE		1	KS3010	SPRING PIN	φ 3-10L	1	YG0501	SPRING WASHER	φ 5	6
FK0701	PUSHER		1	KS3014	SPRING PIN	φ 3-14L	1	YL0508B	LOCK NUT	M5× 0.8	1
FK0801	COVER		1	KS4010	SPRING PIN	φ 4-10L	1	YZ0004	OIL BOX		1

☆☆ If you need to order parts, please mark both Parts No. and Description. ☆☆