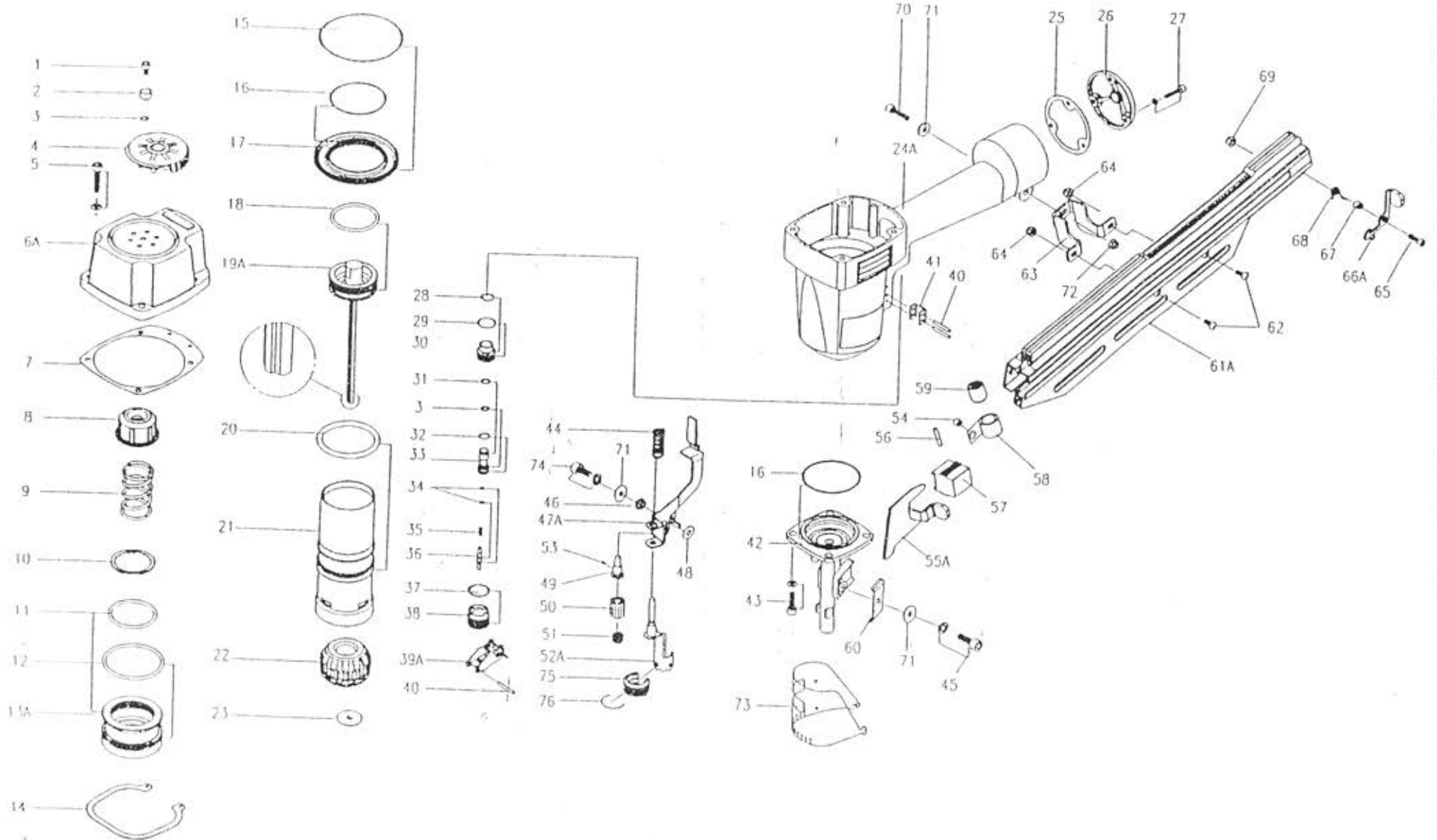


Article number :
FHFNN2890

EXPLODED VIEW



Parts List

Item No.	Part No.	Description	Q'ty	Item No.	Part No.	Description	Q'ty
1	30105180101	Hex. Soc. Hd. Bolt	1	41	20171540001	Guide, Safety Lever	1
2	20030000001	Washer	1	42	20231130001	Nose	1
3	30700002000	O-Ring = OR-621R	2	43	30108250201	Hex. Soc. Hd. Bolt	4
4	20030010015	Deflector	1	44	20171490001	Spring, Safety	1
5	30106250201	Hex. Soc. Hd. Bolt	4	45	30106160201	Hex. Soc. Hd. Bolt	1
6A	801700120XX	Cap Assembly	1set	46	20171470001	Bushing	1
7	20170130000	Gasket	1	47A	20232811001	Upper Safety Lever Assy.	1set
8	20170140017	Piston Stopper	1	48	20171400001	Washer	1
9	20170160000	Spring	1	49	20221610001	Safety Guide	1
10	20170230015	Elastic Washer	1	50	20171600001	Adjusting Nut	1
11	30700019000	O-Ring	1	51	20171630001	Adjusting Spring	1
12	30700056000	O-Ring	1	52A	20231511001	Lower Safety Lever Assy.	1set
13A	80170032009	Piston, Head Valve Assy.	1set	53	30802050001	Sprin Pin	1
14	20170360001	Retaining Ring	1	54	20172020016	Fixed Bush	1
15	30700048000	O-Ring	1	55A	80230072001	Pusher Assembly	1set
16	30700045000	O-Ring	2	56	20172120001	Roller Shaft	1
17	20170370000	Cylinder Spacer	1	57	20172100015	Pusher Guide Lever	1
18	30700057000	O-Ring	1	58	20172090000	Spiral Spring	1
19A	80170042001	Driver Assembly	1set	59	20172110016	Roller	1
20	30700020000	O-Ring	1	60	20231870001	Bracket	1
21	20170350009	Cylinder	1	61A	20232052006	Magazine Assembly	1set
22	20170470015	Bumper	1	62	30405100101	Hex. Soc. Hd. Bolt	2
23	20170480001	Driver Guide	1	63	20232170001	Bracket	1
24A	201706020XX	Body Assembly	1set	64	30605080001	Locknut	2
25	20170730000	Gasket	1	65	30104200101	Hex. Soc. Hd. Bolt	1
26	201707X00XX	End Cap	1	66A	20172362001	Latch Assembly	1set
27	30105200201	Hex. Soc. Hd. Bolt	3	67	20172300001	Bushing	1
28	30700028000	O-Ring	1	68	20172290001	Spring, Feed Pawl	1
29	30700031000	O-Ring = OR-1815R	1	69	30604070001	Locknut	1
30	20010900000	Valve	1	70	30106250101	Hex. Soc. Hd. Bolt	1
31	30700024000	O-Ring	1	71	30900003001	Flat Washer	3
32	30700026000	O-Ring	1	72	30306100001	Locknut	1
33	20010910000	Valve Plunger	1	73	20221290019	Debris Shield	1
34	30700021000	O-Ring = OB-032A0	2	74	30106200201	Hex. Soc. Hd. Bolt	1
35	20010960101	Spring	1	75	20171580015	Rubber Pad	1
36	20010920001	Plunger	1	76	20171590001	Clip	1
37	30700008000	O-Ring	1				
38	20010930001	Plunger Cap	1				
39A	200310220XX	Trigger Assembly	1set				
40	30803260001	Spring Pin = KS3026	3				