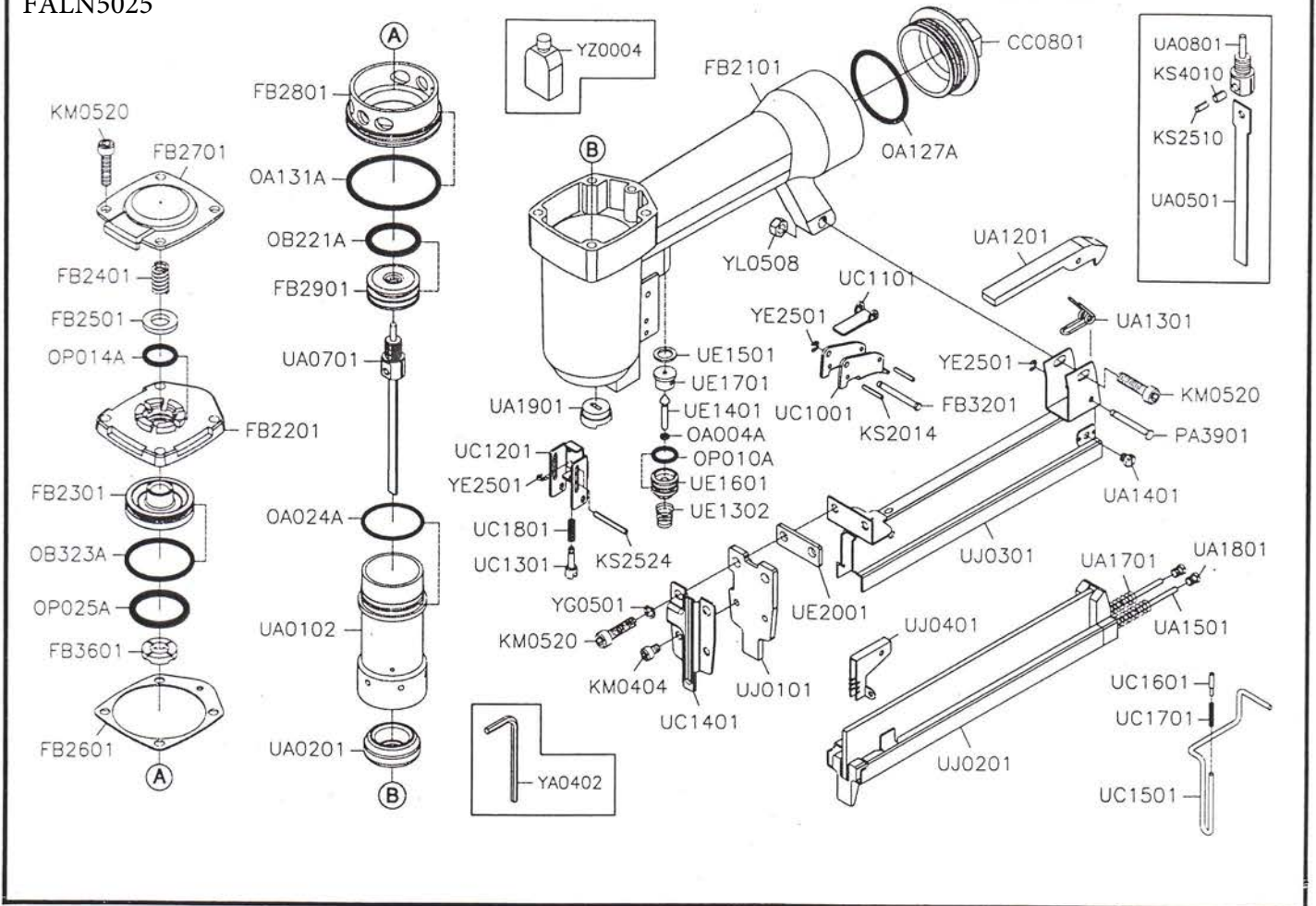


Article number :
FALN5025



Part_No	Description	Spec	Q'ty	Part_No	Description	Spec	Q'ty	Part_No	Description	Spec	Q'ty
CC0801	END CAP		1	OB221A	O-RING	22× 3	1	UC1401	SAFETY GUIDE		1
FB2101	BODY		1	OB323A	O-RING	31.8× 2.4	1	UC1501	SAFETY		1
FB2201	CYLINDER CAP		1	OP010A	O-RING	P10	1	UC1601	SPRING SHAFT		1
FB2301	HEAD VALVE PISTON		1	OP014A	O-RING	P14	1	UC1701	SPRING		1
FB2401	COMPRESSION SPRING		1	OP025A	O-RING	P25	1	UC1801	SPRING		1
FB2501	SEAL		1	PA3901	LATCH SPRING		1	UE1302	COMPRESSION SPRING		1
FB2601	CAP SEAL		1	UA0102	CYLINDER		1	UE1401	TRIGGER VALVE STEM		1
FB2701	EXHAUST CAP		1	UA0201	BUMPER		1	UE1501	SEAL		1
FB2801	CYLINDER RING		1	UA0501	DRIVER		1	UE1601	TRIGGER VALVE GUIDE		1
FB2901	MAIN PISTON		1	UA0701	DRIVER ASSY.		1	UE1701	TRIGGER VALVE SEAT		1
FB3201	TRIGGER PIN		1	UA0801	STEM		1	UE2001	SPACER		1
FB3601	PISTON STOP		1	UA1201	LATCH		1	UJ0101	COVER PLATE		1
KM0404	HEX.SOC.HD.BOLT	M4× 0.7-4L	2	UA1301	LATCH SPRING		1	UJ0201	MAGAZINE ASSY		1
KM0520	HEX.SOC.HD.BOLT	M5× 0.8-20L	7	UA1401	RETAINER SCREW		2	UJ0301	MAGAZINE CAP		1
KS2014	SPRING PIN	∅ 2.0× 14L	2	UA1501	GUIDE STEM		2	UJ0401	PUSHER		1
KS2510	SPRING PIN	∅ 2.5× 10L	1	UA1701	PUSHER SPRING		2	YA0402	HEX BAR WRENCH	D4	1
KS2524	SPRING PIN	∅ 2.5× 24L	1	UA1801	HEX.SOC.SET SCREW		2	YE2501	E-RING	∅ 2.5	3
KS4010	SPRING PIN	∅ 4× 10L	1	UA1901	NOZZLE		1	YG0501	SPRING WASHER	∅ 5	2
OA004A	O-RING	1.8× 1.8	1	UC1001	TRIGGER		1	YL0508	HEX.NUT	M5× 0.8	1
OA024A	O-RING	ARP568-024	1	UC1101	CONTACT LEVER		1	YZ0004	OIL BOX		1
OA127A	O-RING	ARP568-127	1	UC1201	SAFETY SET		1				
OA131A	O-RING	ARP568-131	1	UC1301	SHAFT		1				

☆☆ If you need to order parts, please mark both Parts No. and Description. ☆★ (MI/S2-01)