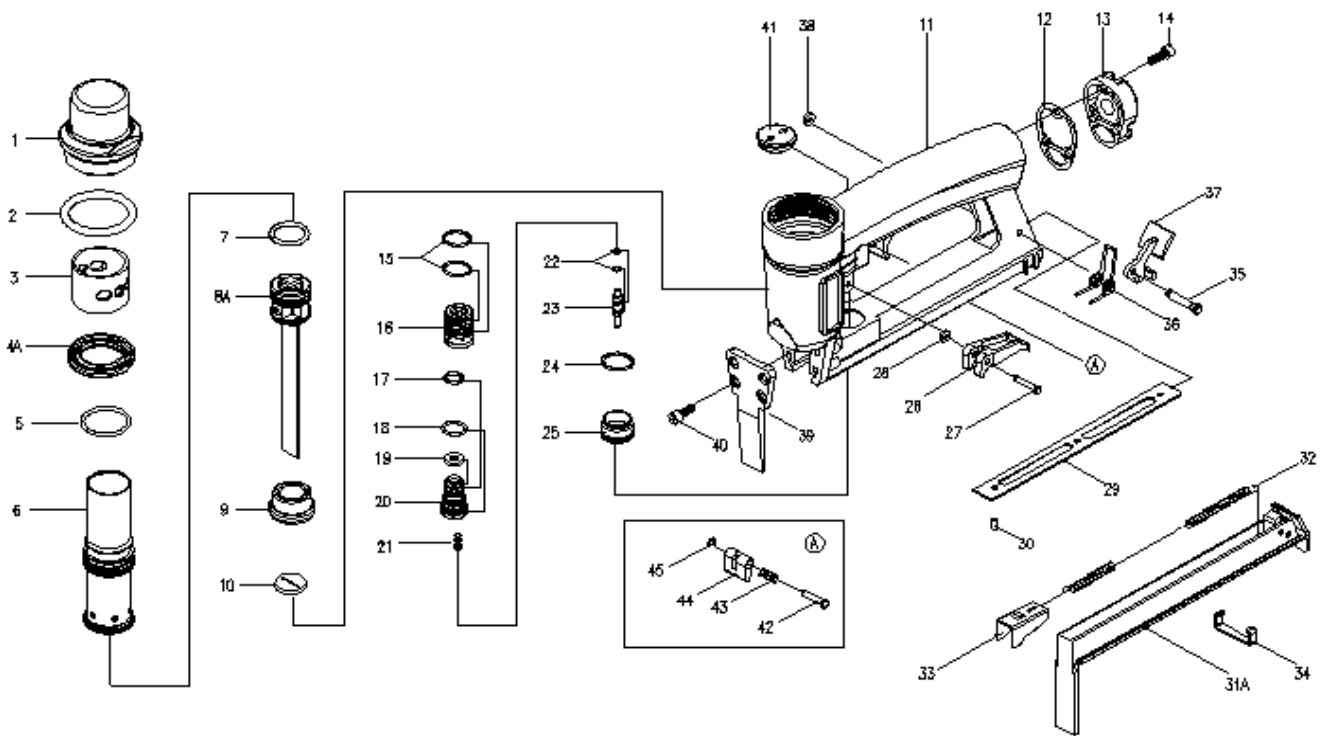


EXPLODED VIEW



SF8016BL

Parts List SN8016 LN

Item No.	Part No.	Description	Q'ty	Item No.	Part No.	Description	Q'ty	Item No.	Part No.	Description	Q'ty
1	20370020021	Cap	1	17	30700024000	O-Ring	1	33	20332130001	Pusher	1
2	30700088000	O-Ring	1	18	30700027000	O-Ring	1	34	20332490001	Stopper	1
3	20370340015	Cylinder Seal	1	19	20331030015	Seal	1	35	20332340001	Pin	1
4A	20330381015	Seal Cylinder Spacer Assy.	1set	20	20330910000	Valve Plunger	1	36	20332290001	Latch Spring	1
5	30700034000	O-Ring	1	21	20330960001	Spring	1	37	20332280001	Latch	1
6	20370350009	Cylinder	1	22	30700021000	O-Ring	2	38	30700067000	O-Ring	1
7	30700068000	O-Ring	1	23	20330920001	Plunger	1	39	20371340001	Door	1
8A	20370461013	Driver Assembly	1set	24	30700030000	O-Ring	1	40	30104120166	Hex. Soc. Hd. Bolt	4
9	20330470015	Bumper	1	25	20330930000	Plunger Cap	1	41	20331040015	Protective Cover	1
10	20330480001	Drive Guide	1	26	20330950015	Trigger	1	42	20331450001	Safety Pin	1
11	203306000XX	Body	1	27	20330890001	Spring Pin	1	43	20331490001	Spring, Safety	1
12	20330730000	Gasket	1	28	30700053000	O-Ring	1	44	20331720016	Safety Lever	1
13	203307X0027	End Cap	1	29	20332060001	Nail Guide Liner	1	45	31325000001	E-Ring	1
14	30104120166	Hex. Soc. Hd. Bolt	3	30	30803060001	Spring Pin	1				
15	30700028000	O-Ring	2	31A	20372511001	Magazine Assembly	1set				
16	20330900000	Valve	1	32	20332210001	Spring	1				

SF8016BL#00370000029

02/18/2003