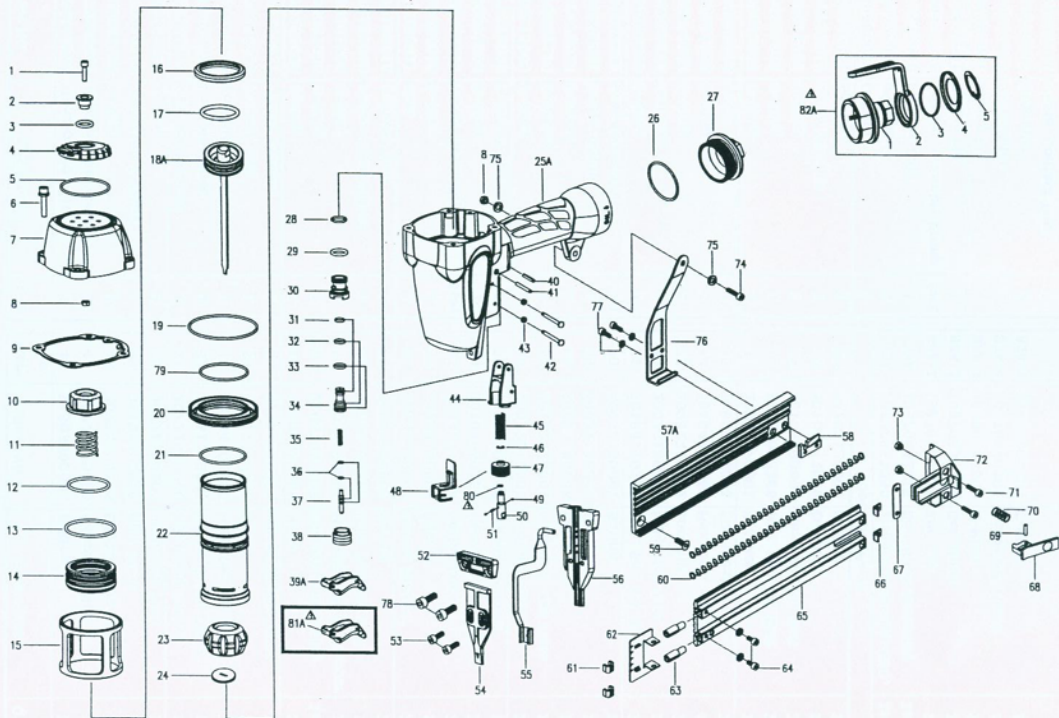


EXPLODED VIEW



Parts List

Item No.	Part No.	Description	Q'ty	Item No.	Part No.	Description	Q'ty
1	30104140766	Hex.Soc.Hd.Bolt	1	46	31303000001	E-Ring	1
2	20770000001	Bushing, Deflcetor	1	47	20771600066	Adjusting Nut	1
3	30700081000	O-Ring	1	48	20771480166	Contact Trip, Upper	1
4	20770010115	Deflector, Exhaust	1	49	31200200000	Ball, Steel	2
5	30700163000	O-Ring	1	50	20771500101	Adjusting Post	1
6	30105250866	Hex.Soc.Hd.Bolt	6	51	20771630000	Adjusting Spring	1
7	207700200XX	Cap, Machined	1	52	20931330066	Driver Guide Cover	1
8	30604070066	Locknut	2	53	30104100166	Hex. Soc. Hd. Bolt	2
9	20770130000	Gasket, Cap	1	54	20931340066	Door	1
10	20770140017	Piston Stopper	1	55	20931510001	Lower Safety Lever	1
11	20770160000	Spring	1	56	20931350266	Nose	1
12	30700092000	O-Ring	1	57A	21062052208	Magazine Assembly	1set
13	30700091000	O-Ring	1	58	20032220001	Magazine Cover Stopper	1
14	20770150000	Piston ,Head Valve	1	59	30505100166	Hex. Soc. Hd. Bolt	1
15	20770180016	Cylinder Seal	1	60	20702210001	Spring	2
16	20770250017	Seal	1	61	20032230001	Spring Stopper	2
17	30700086000	O-Ring	1	62	20702130001	Pusher	1
18A	20930461201	Driver Assembly	1set	63	20342240016	Spring Lock	2
19	30700093000	O-Ring	1	64	30104060266	Hex. Soc. Hd. Bolt	2
20	20770370000	Cylinder Spacer	1	65	21062200208	Magazine Cover	1
21	30700115000	O-Ring	1	66	20032310001	Spring Stopper	2
22	20770350100	Cylinder	1	67	20142270001	Magazine Cap Plate	1
23	20770470015	Bumper	1	68	20032280066	Latch	1
24	20930480001	Driver Guide	1	69	20032340001	Pin	1
25A	207706020XX	Body Assembly	1set	70	20032330001	Spring	1
26	30700185000	O-Ring	1	71	30104120166	Hex. Soc. Hd. Bolt	2
27	207707X01XX	End Cap	1	72	20032180015	Magazine Cap	1
28	30700079000	O-Ring	1	73	20032260001	Locknut	2
29	30700081000	O-Ring	1	74	30104180166	Hex. Soc. Hd. Bolt	1
30	20770900016	Valve	1	75	30900001001	Flat Washer	2
31	30700002000	O-Ring	1	76	20932170001	Bracket	1
32	30700201000	O-Ring	1	77	30104080266	Hex. Soc. Hd. Bolt	2
33	30700071000	O-Ring	1	78	30105300866	Hex. Soc. Hd. Bolt	2
34	20770910016	Valve Plunger	1	79	30700042000	O-Ring	1
35	20770960001	Spring	1	80	30700136000	O-Ring	1
36	30700080000	O-Ring	2	Optional Parts			
37	20770920000	Plunger	1	81A	20770952259	Trigger Assembly-SEQ.	1set
38	20770930016	Plunger Cap	1	82A	20970832115	Belt Hook Assembly	1set
39A	20750952115	Trigger Assembly Bump	1set	82A-1	209707X00XX	End Cap	1
40	30803220001	Spring Pin	1	82A-2	20970830115	Belt Hook	1
41	30803250001	Spring Pin	1	82A-3	30700188000	O-Ring	1
42	20770890001	Pin Trigger	2	82A-4	20970840001	Cover Belt Hook	1
43	30700078000	Grommet	2	82A-5	33425000001	C-Ring	1
44	20972840315	Guide, Contact Trip	1				
45	20771490001	Spring, Safety	1				

ST1850C2#40931100100

11/5/2009