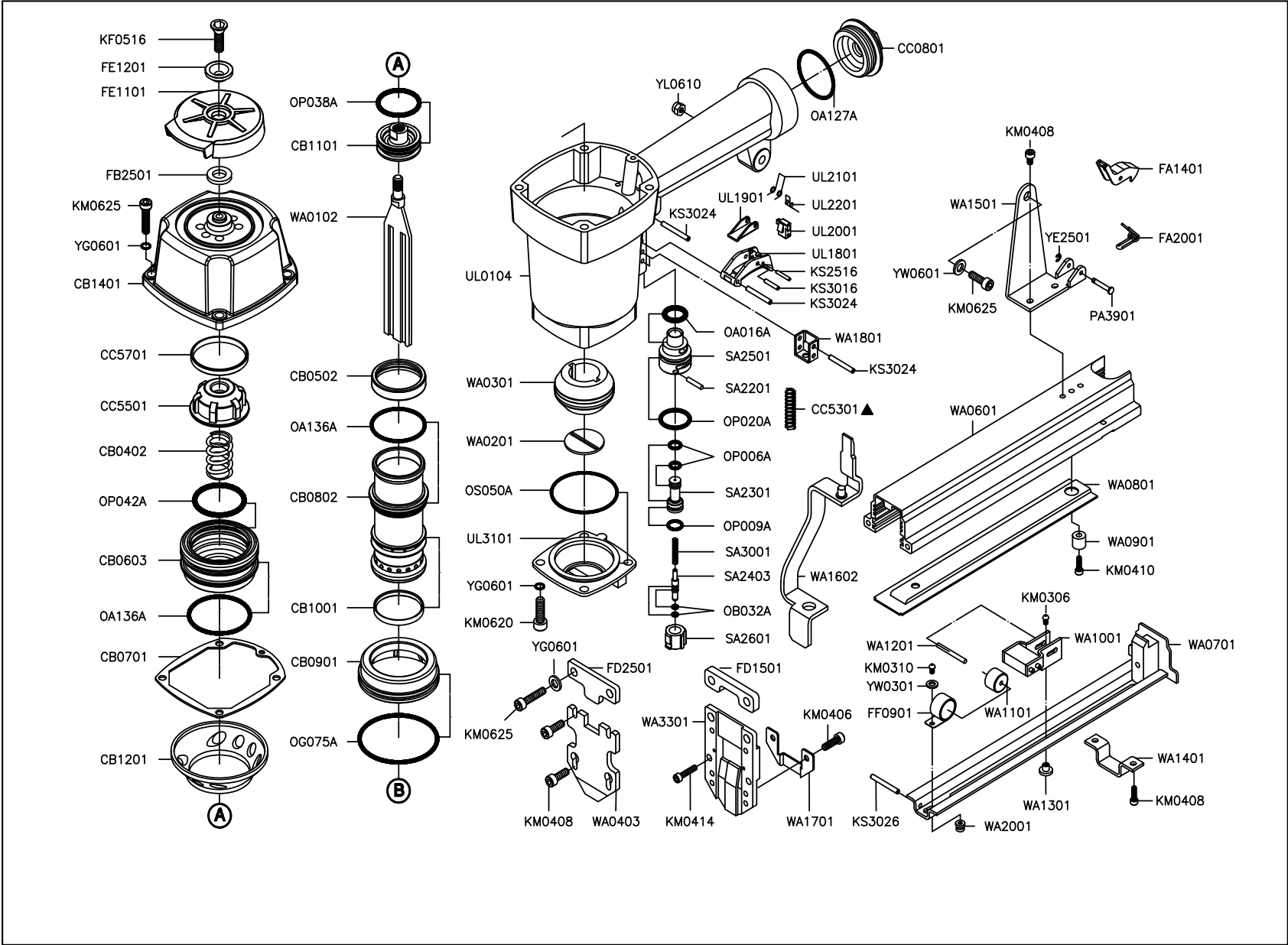


FDCF1500-1



FDCF1500-1

| Part_No | Description | Spec | Q'ty | Part_No | Description | Spec | Q'ty | Part_No | Description | Spec | Q'ty |
|----------|--------------------|-------------|------|---------|--------------------|-------------|------|---------|---------------------|--------|------|
| ◀ CB0402 | COMPRESSION SPRING | | 1 | KM0414 | HEX.SOC.HD.BOLT | M4×0.7- 14L | 2 | UL2001 | STOP PLATE | | 1 |
| CB0502 | CYLINDER RING | | 1 | KM0620 | HEX.SOC.HD.BOLT | M6×1.0- 20L | 4 | UL2101 | SPRING | | 1 |
| CB0603 | HEAD VALVE PISTON | | 1 | KM0625 | HEX.SOC.HD.BOLT | M6×1.0- 25L | 7 | UL2201 | SPRING | | 1 |
| CB0701 | CAP SEAL | | 1 | KS2516 | SPRING PIN | ∅ 2.5- 16L | 1 | UL3101 | BOTTOM PLATE ASSY. | | 1 |
| CB0802 | CYLINDER | | 1 | KS3016 | SPRING PIN | ∅ 3- 16L | 1 | WA0102 | DRIVER | | 1 |
| CB0901 | CYLINDER RING | | 1 | KS3024 | SPRING PIN | ∅ 3- 24L | 4 | WA0201 | BUMPER PLATE | | 1 |
| CB1001 | CHECK SEAL | | 1 | KS3026 | SPRING PIN | ∅ 3- 26L | 1 | WA0301 | BUMPER | | 1 |
| CB1101 | MAIN PISTON | | 1 | OA016A | O-RING | ARP568- 016 | 1 | WA0403 | COVER PLATE(B) | | 1 |
| CB1201 | COLLAR | | 1 | OA127A | O-RING | ARP568- 127 | 1 | WA0601 | MAGAZINE CAP | | 1 |
| CB1401 | CYLINDER CAP | | 1 | OA136A | O-RING | ARP568- 136 | 2 | WA0701 | MAGAZINE ASSY. | | 1 |
| CC0801 | END CAP | | 1 | OB032A | O-RING | 2.5×1.4 | 2 | WA0801 | LAMELLA SCORRIMENTO | | 1 |
| CC5501 | PISTON STOP | | 1 | OG075A | O-RING | G75 | 1 | WA0901 | FIXED SET | | 1 |
| CC5701 | SPACER | | 1 | OP006A | O-RING | P6 | 2 | WA1001 | PUSHER | | 1 |
| FA1401 | LATCH | | 1 | OP009A | O-RING | P9 | 1 | WA1101 | ROLLER | | 1 |
| FA2001 | LATCH SPRING | | 1 | OP020A | O-RING | P20 | 1 | WA1201 | NEEDLE ROLLER | | 1 |
| FB2501 | SEAL | | 1 | OP038A | O-RING | P38 | 1 | WA1301 | NEEDLE SET | | 1 |
| FD1501 | SPACER | | 1 | OP042A | O-RING | P42 | 1 | WA1401 | MAGAZINE RETAINER | | 1 |
| FD2501 | COVER PLATE(A) | | 1 | OS050A | O-RING | S50 | 1 | WA1501 | SUPPORT | | 1 |
| FE1101 | EXHAUST CAP | | 1 | PA3901 | LATCH PIN | | 1 | WA1602 | SAFETY | | 1 |
| FE1201 | EXHAUST CAP RING | | 1 | SA2201 | STOP PIN | | 2 | WA1701 | SAFETY GUIDE | | 1 |
| FF0901 | PUSHER SPRING | | 1 | SA2301 | PILOT VALVE | | 1 | WA1801 | SAFETY GUIDE | | 1 |
| FK2201 | SAFETY SPRING | | 1 | SA2403 | TRIGGER VALVE STEM | | 1 | WA2001 | SPRING SEAT | | 1 |
| KF0516 | BUTTON HD.BOLT | M5×0.8- 16L | 1 | SA2501 | TRIGGER VALVE SEAT | | 1 | WA3301 | GUIDE PLATE | | 1 |
| KM0306 | HEX.SOC.HD.BOLT | M3×0.5- 6L | 1 | SA2601 | INNER VALVE SEAT | | 1 | YE2501 | E-RING | ∅ 2.5 | 1 |
| KM0310 | HEX.SOC.HD.BOLT | M3×0.5- 10L | 1 | SA3001 | SPRING | | 1 | YG0601 | SPRING WASHER | ∅ 6 | 10 |
| KM0406 | HEX.SOC.HD.BOLT | M4×0.7- 6L | 2 | UL0104 | BODY | | 1 | YL0610 | LOCK NUT | M6×1.0 | 1 |
| KM0408 | HEX.SOC.HD.BOLT | M4×0.7- 8L | 8 | UL1801 | TRIGGER | | 1 | YW0301 | FLAT WASHER | ∅ 3 | 1 |
| KM0410 | HEX.SOC.HD.BOLT | M4×0.7- 10L | 1 | UL1901 | CONTACT LEVER | | 1 | YW0601 | FLAT WASHER | ∅ 6 | 1 |

★✧ If you need to order parts, please mark both **Parts No.** and **Description.** ✧★

D