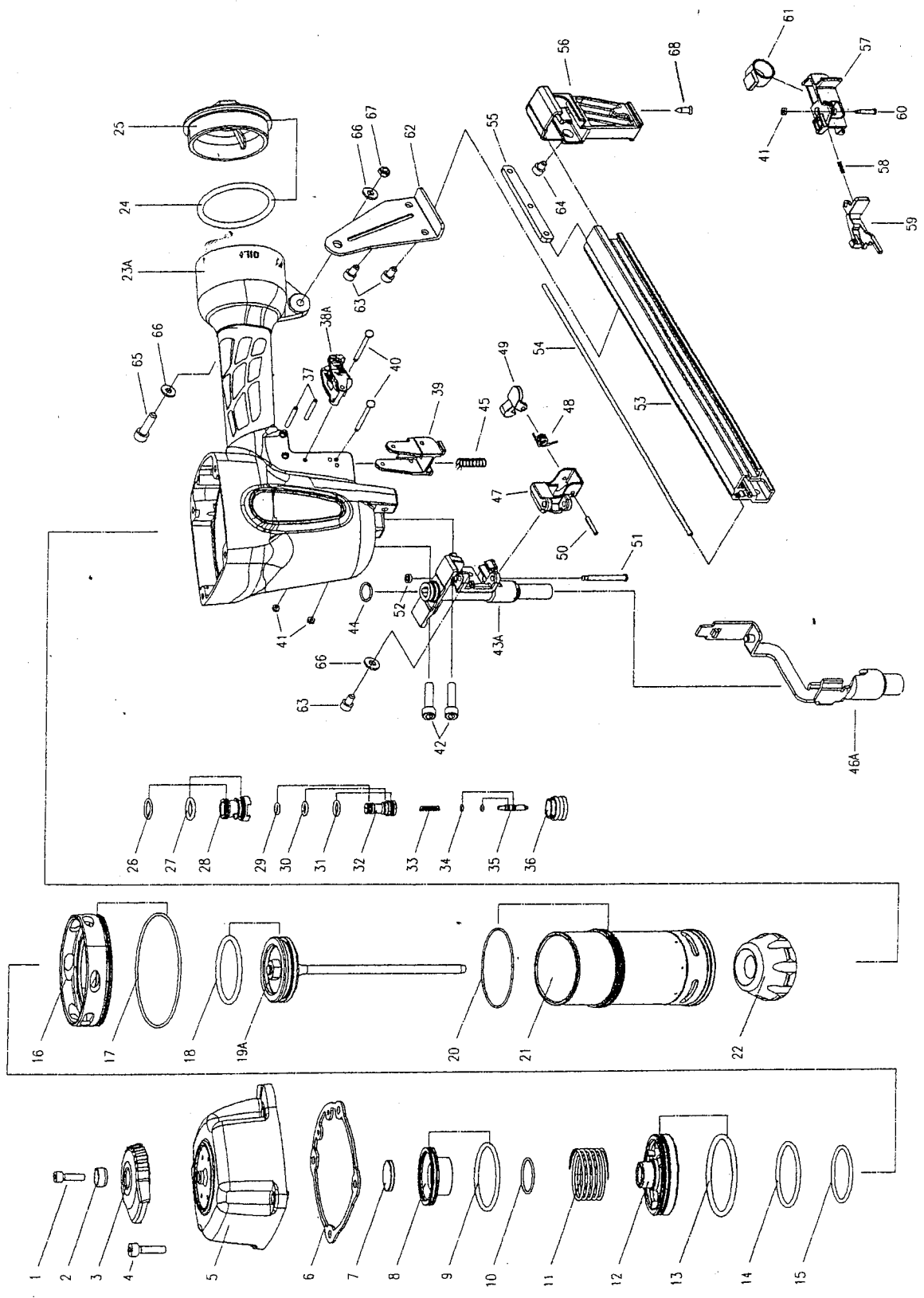


FHCA 250000

EXPLODED VIEW



Parts List

Item No.	Part No.	Description	Q'ty
1	30106080766	Hex.Soc.Hd.Bolt	1
2	20790000001	Washer	1
3	20790010115	Deflector	1
4	30106250866	Hex.Soc.Hd.Bolt	4
5	209400201XX	Cap	1
6	20940130000	Gasket	1
7	20940190015	Seal	1
8	20940140116	Piston Stopper	1
9	30700040000	O-Ring	1
10	30700008000	O-Ring	1
11	20940160000	Spring	1
12	20940150016	Piston,Head Valve	1
13	30700102000	O-Ring	1
14	30700075000	O-Ring	1
15	30700117000	O-Ring	1
16	20940340016	Retaining Ring	1
17	30700104000	O-Ring	1
18	30700019000	O-Ring	1
19A	22570462001	Driver Assembly	1set
20	30700103000	O-Ring	1
21	20940350000	Cylinder	1
22	20940470115	Bumper	1
23A	225706010XX	Body Assembly	1set
24	30700118000	O-Ring	1
25	209407X00XX	End Cap	1
26	30700079000	O-Ring	1
27	30700081000	O-Ring	1
28	20770900016	Valve	1
29	30700002000	O-Ring	1
30	30700201000	O-Ring	1
31	30700071000	O-Ring	1
32	20770910016	Valve Plunger	1
33	20770960001	Spring	1
34	30700080000	O-Ring	2
35	22220920000	Plunger	1
36	20770930016	Plunger Cap	1
37	30803240001	Spring Pin	2
38A	22220952015	Trigger Assembly	1set
39	22572840015	Contact Trip Guide	1
40	20770890001	Trigger Pin	2

Item No.	Part No.	Description	Q'ty
41	30700078000	Grommet	3
42	30106250166	Hex.Soc.Hd.Bolt	2
43A	22571132066	Nose Assembly	1set
44	30700028000	O-Ring	1
45	20791490001	Spring,Safety	1
46A	22571481001	Upper Safety Lever Assembly	1
47	22571250066	Nail Guide	1
48	21371220001	Spring,Lock Shaft	1
49	21371230001	Lock Shaft	1
50	30803180001	Spring Pin	1
51	22571270001	Shaft Pin Nail Guide	1
52	30700157000	O-Ring	1
53	22572050008	Magazine	1
54	22572060001	Nail Guide Liner(A)	2
55	22572270001	Spring Stopper	1
56	22572180015	Magzine Cap	1
57	22572150015	Pusher Guide	1
58	22572620001	Spring	1
59	22572130001	Pusher	1
60	22572250001	Pin	1
61	22572090000	Spring	1
62	22572170001	Bracket	1
63	30105080166	Hex.Soc.Hd.Bolt	3
64	30105060166	Hex.Soc.Hd.Bolt	1
65	30105220766	Hex.Soc.Hd.Bolt	1
66	30900008001	Flat Washer	3
67	30605080001	Locknut	1
68	34804120101	Screw	1

FHCN250000 #42571100100

7/28/2011