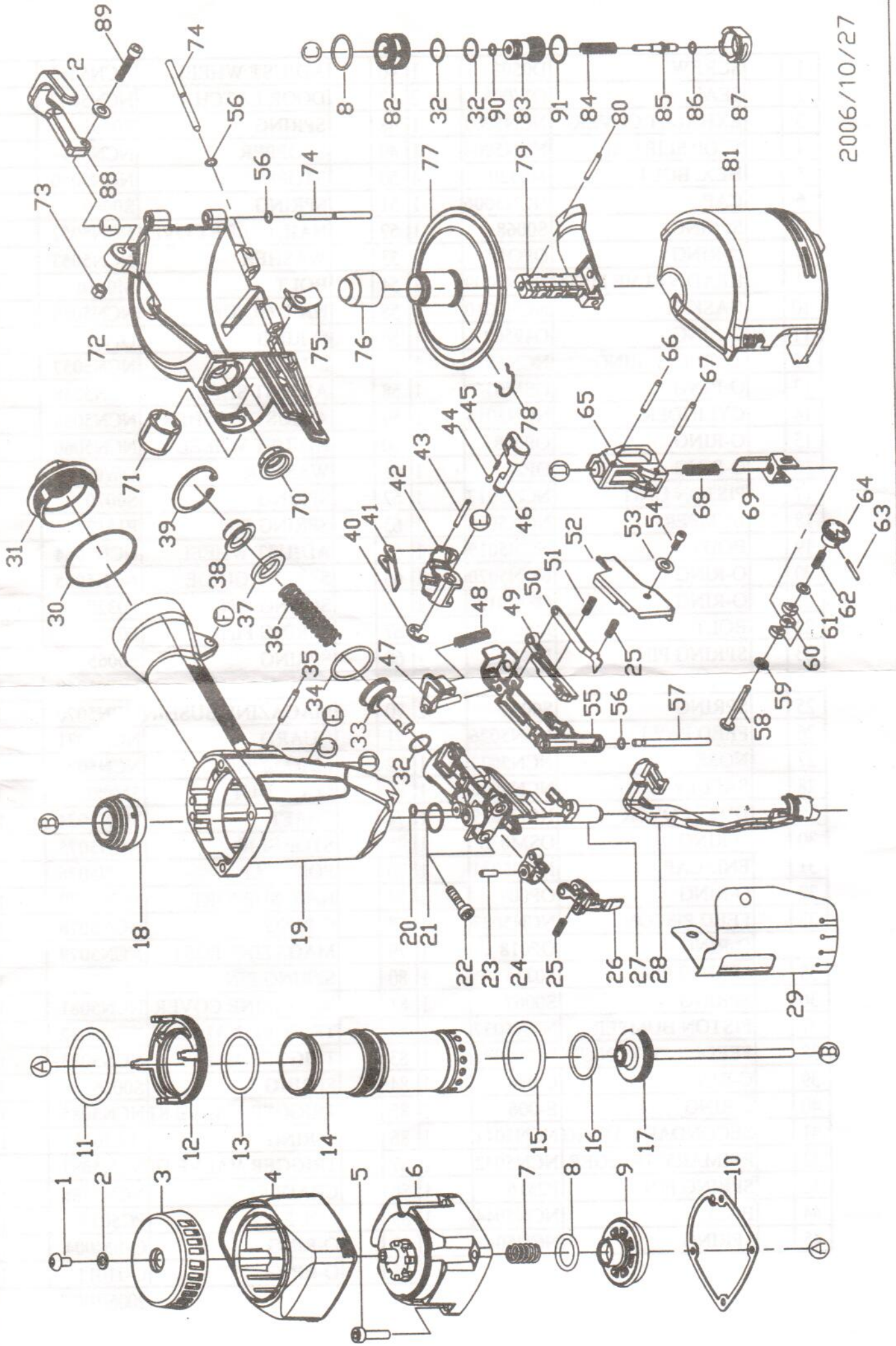


EXPLODED DIAGRAM OF NCN50



1	SCREW	D0508	1	46	ADJUST WHEEL	NCN5046	1
2	SEAL	OW005	2	47	DOOR LATCH	NCN5047	1
3	EXHAUST COVER	NCN5003	1	48	SPRING	S0063	1
4	STOP SLIP CAP	NCN5004	1	49	STOPPER	NCN5049	1
5	HEX. BOLT	M0520	4	50	STOPPER	NCN5050	1
6	CAP	NCN5006	1	51	SPRING	S0069	1
7	SPRING	S0068	1	52	NAIL GUIDE COVER	NCN5052	1
8	O-RING	OPO17	2	53	WASHER	NCN5053	1
9	HEAD VALVE PISTON	NCN5009	1	54	BOLT	M0410	1
10	GASKET	NCN5010	1	55	NAIL GUIDE	NCN5055	1
11	O-RING	O49502	1	56	O-RING	OP003	3
12	CYLINDER RING	NCN5012	1	57	SHAFT	NCN5057	1
13	O-RING	OSM036	1	58	ADJUST SHEET	NCN5058	1
14	CYLINDER	NCN5014	1	59	ADJUST WASHER	NCN5059	1
15	O-RING	OP038	1	60	ADJUST WHEEL	NCN5060	1
16	O-RING	OP28	1	61	WASHER	OW004	1
17	PISTON UNIT	NCN5017	1	62	SPRING	S0070	1
18	BUMPER	NCN5018	1	63	SPRING PIN	P1512	1
19	BODY	NCN5019	1	64	ADJUST WHEEL	NCN5064	1
20	O-RING	NCN5020	1	65	SAFETY GUIDE	NCN5065	1
21	O-RING	OSM012	1	66	SPRING PIN	P0328	1
22	BOLT	M0620	2	67	SPRING PIN	P0320	1
23	SPRING PIN	P0412	1	68	SPRING	S0065	1
24	PLATE	NCN5024	1	69	TOUCH SHAFT	NCN5069	1
25	SPRING	S0031	2	70	MAGAZINE BUSHING	NCN5070	1
26	FEED PAWL	NCN5026	1	71	GUARD	NCN5071	1
27	NOSE	NCN5027	1	72	MAGAZINE	NCN5072	1
28	SAFETY-A	NCN5028	1	73	LOCK NUT	5M08L	1
29	DUST COVER	NCN5029	1	74	SHAFT	NCN5074	2
30	O-RING	OSM038	1	75	STOP SLIP	NCN5075	1
31	END CAP	NCN5031	1	76	POST CAP	NCN5076	1
32	O-RING	OP009	3	77	NAIL SUPPORT	NCN5077	1
33	FEED PISTON	NCN5033	1	78	C-RING	NCN5078	1
34	O-RING	OP018	1	79	MAGAZINE POST	NCN5079	1
35	SPRING PIN	P0316	1	80	SPRING PIN	P2512	1
36	SPRING	S0067	1	81	MAGAZINE COVER	NCN5081	1
37	PISTON BUMPER	NCN5037	1	82	TRIGGER VALVE H	NCN5082	1
38	FEEDER PISTON CO	NCN5038	1	83	TRIGGER VALVE	NCN5083	1
39	C-RING	C-024	1	84	SPRING	S0066	1
40	E-RING	E-006	1	85	TRIGGER VALVE ST	NCN5085	1
41	SECONDARY TRIGGER	NCN5041	1	86	O-RING	O-02015	1
42	PRIMARY TRIGGER	NCN5042	1	87	TRIGGER VALVE GU	NCN5087	1
43	SPRING PIN	P2516	1	88	CRADLE	NCN5088	1
44	BALL	NCN5044	1	89	BOLT	PC5029	1
45	SPRING	NCN5045	1	90	O-RING	O-SM004	1
				91	O-RING	O-J1011	1