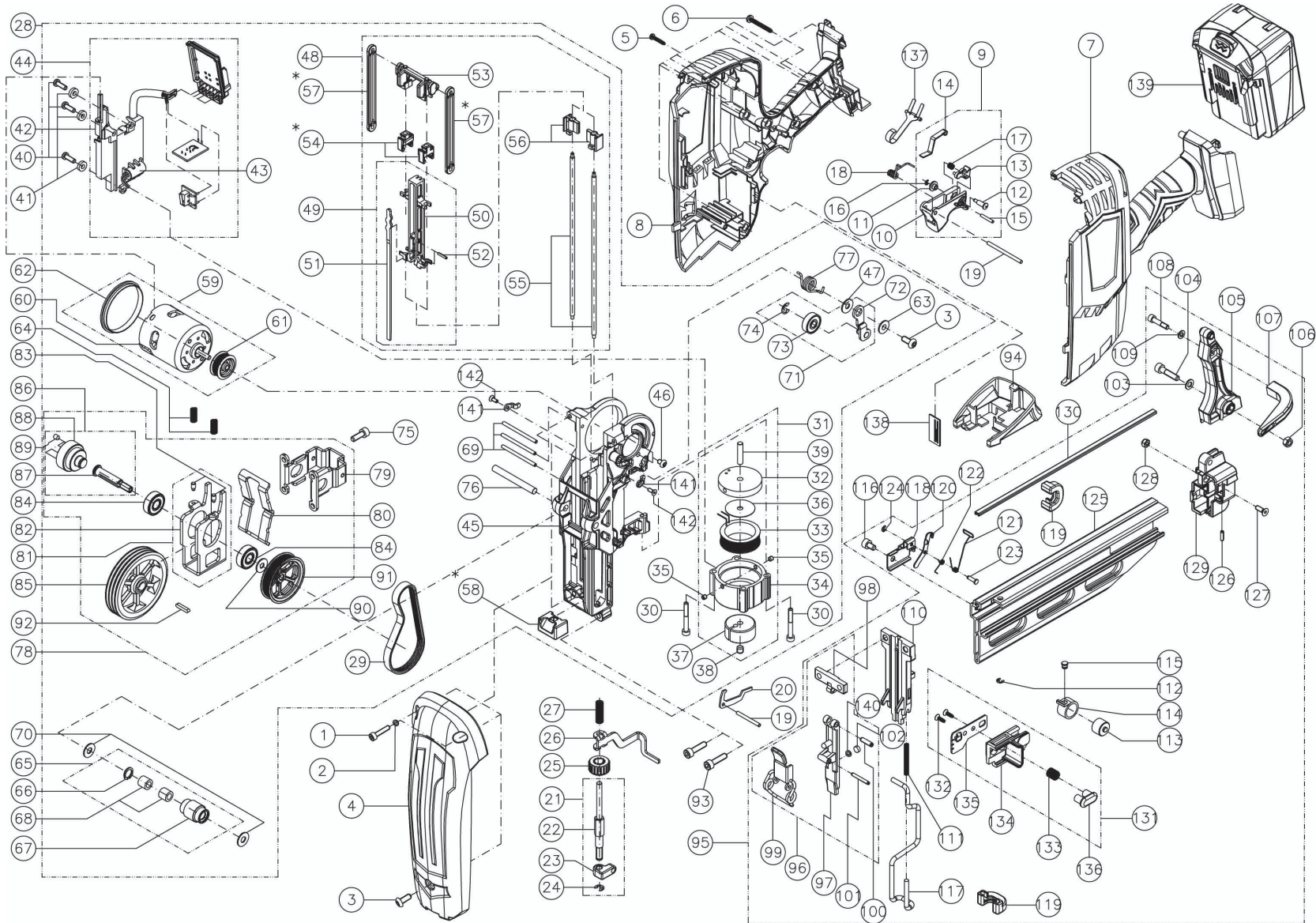


# EXPLODED VIEW BBT1664



# Parts List

ITEM NO.	PART NO.	DESCRIPTION	QTY
1	FXWA0001321	SCREW M4*18	2
2	FXWA00050751	WASHER 8*4.3*0.8t	2
3	FXWA0000961	BHSC SCREW M5*12	2
4	FXWA04020031	TOP CAP	1
5	FXWA00030451	SCREW 3*16	8
6	FXWA00030501	SCREW 4*28	1
7	FXWA04020141	PLASTIC HOUSING LEFT	1
8	FXWA04020151	PLASTIC HOUSING RIGHT	1
9	FXWB05002281	TRIGGER ASS'Y	1
10	FXWA05001221	TRIGGER	1
11	FXWA00070731	TRIGGER PUSH BUTTON	1
12	FXWA00070721	SHAFT	1
13	FXWA05020061	LOCK STOP	1
14	FXWA05010911	INNER TRIGGER	1
15	FXWA00061891	PIN 2.5*15.8	1
16	FXWA00051681	RING#2	1
17	FXWA01003051	SPRING 5*8.5L	1
18	FXWA01010741	SPRING	1
19	FXWA00061291	PIN 3*29.8	2
20	FXWA07113821	LOCKOUT	1
21	FXWB07008711	DEPTH ADJUSTMENT ROD ASS'Y	1
22	FXWA07141041	DEPTH ADJUSTMENT ROD	1
23	FXWA07113841	WCE CONNECT PART	1
24	FXWA00050131	E-RING 4	1
25	FXWA07141051	DEPTH ADJUSTMENT WHEEL	1
26	FXWA07113801	RELEASE CATCH B	1
27	FXWA01003801	SPRING 6.9*30L	1
28	FXWB23000101	METAL FRAME ASS'Y	1
29	FXWA25010001	BELT 95H5	1
30	FXWA00000261	SCREW M4*32	4
31	FXWB20000051	SOLENOID ASS'Y	1
32	FXWA20010121	SEAT	1
33	FXWA20010131	BOBBIN	1
34	FXWA20010111	COVER	1
35	FXWA00030211	SET SCREW M4*4	2
36	FXWA20010101	STAINLESS WASHER	1
37	FXWA20010151	PLUNGER	1
38	FXWA00030511	BOLT M6*6	1
39	FXWA20010141	SHAFT	1
40	FXWA00000211	SCREW M4*10	3
41	FXWA00051711	PCBA WASHER 9.5*4.3*2.5	3
42	FXWA02010431	FERROUS SALTØ9.5*16	1
43	FXWA02010441	FERROUS SALTØ10.5*20	1
44	FXWB21000021	CONTROLLER BOARD ASS'Y	1
45	FXWA23000011	METAL FRAME	1
46	FXWA00002151	SCREW M4*7	2
47	FXWA00050531	WASHER 14*1T	1
48	FXWB26000051	BAND SUPPORT HOUSING ASS'Y	1
49	FXWB26000061	DRIVER BLOCK ASS'Y	1
50	FXWA26000011	DRIVER BLOCK	1
51	FXWA06003471	DRIVER BLADE	1
52	FXWA00110001	SPRING PIN 2*11	2
53	FXWA26030011	BAND SUPPORT HOUSING	1
54	FXWA03131221	METAL TOP CAP BACK BUMPER	2
55	FXWA26010021	GUIDE SLEEVE	2
56	FXWA26010001	DRIVER BLOCK GUIDE SLEEVE	2
57	FXWA26020001	BUNGEE CORD	2
58	FXWA03090921	BUMPER	1
59	FXWB20000071	PULLEY MOTOR ASS'Y	1
60	FXWB20000001	MOTOR JOHNSON 18V	1
61	FXWA25030001	PULLEY MOTOR	1
62	FXWA03120411	MOTOR SPACER RING	1
63	FXWA00051621	WASHER	1
64	FXWA01003791	SPRING 6.2*21	2
65	FXWB27000011	ROLLER ASS'Y	1
66	FXWA00051651	C-RING IRTW#11	1
67	FXWA27020001	ROLLER	1
68	FXWA02060051	CLEAN METAL BEARING	2
69	FXWA00061871	PIN 3*50.8	3
70	FXWA00051631	WASHER 14*6*1T	2
71	FXWB23000021	IDLER ASS'Y	1

ITEM NO.	PART NO.	DESCRIPTION	QTY
72	FXWB23000001	IDLER LEVER ASS'Y	1
73	FXWA02060041	DEEP GROOVE BALL BEARINGS 626Z	1
74	FXWA00050061	E-RING 5	1
75	FXWA00000241	SCREW M5*14	4
76	FXWA00061881	PIN 6*50	1
77	FXWA01010571	SPRING	1
78	FXWB25000001	FLYWHELL	1
79	FXWA43020021	BEARING SEAT	1
80	FXWA07161351	PLATE	1
81	FXWB07008521	FORK PUTTER ASS'Y	1
82	FXWA07072931	FORK PUTTER	1
83	FXWA00062341	PIN	2
84	FXWA02060021		16 2
85	FXWA25000011	FLUWHEEL	1
86	FXWB25000021	FLYWHELL SHAFT ASS'Y	1
87	FXWA25020011	FLYWHEEL SHAFT	1
88	FXWA27000021	RING MAGNET SEAT	1
89	FXWA07131381	MAGNET	4
90	FXWA00052211	WASHER 10*6*1t	1
91	FXWA25030011	BELT PULLEY	1
92	FXWA00120001	SLIDING KEY	1
93	FXWA00000091	SCREW M5*20	2
94	FXWA07122271	RELEASE CATCH COVER	1
95	FXWB11004281	MAGAZINE SET	1
96	FXWB07008761	OUTLET SITE COVER	1
97	FXWA07131641	OUTLET SITE COVER	1
98	FXWA08001161	STOPPER	1
99	FXWB08000831	CLICK LEVER SET	1
100	FXWA00110711	SPRING PIN 4*14	1
101	FXWA00110311	PIN 3*22	1
102	FXWA07131691	MAGNET	1
103	FXWA00050591	WASHER 10*5.3*1	1
104	FXWA00000101	SCREW M5*22	1
105	FXWA07062031	STAMPING MOLD	1
106	FXWA00040021	NYLON NUT M5	1
107	FXWA03160151	BELT HOOK	1
108	FXWA00002521	SCREW	1
109	FXWA00050801	WASHER 8*4.3*1t	1
110	FXWA07131631	OUTLET SITE	1
111	FXWA01000681	SPRING4.1*47L	1
112	FXWA00050121	E-RING 3	1
113	FXWA07030251	WHEEL GUIDE	1
114	FXWA01020331	SPRING	1
115	FXWA00061491	PIN 5*2.4	1
116	FXWA00000221	SCREW M5*8	1
117	FXWA07113891	RELEASE CATCH A	1
118	FXWA07122281	SAFETY COVER	1
119	FXWAP02042271	NO MAR PAD	2
120	FXWA07113901	CONSTRAIN BLOCK LOCK OFF	1
121	FXWA01010751	SPRING	1
122	FXWA01010761	SPRING	1
123	FXWA07113861	SHAFT	1
124	FXWA00050041	E-RING 2.5	1
125	FXWA07013211	MAGAZINE	1
126	FXWA00110131	SPRING PIN 3*10	1
127	FXWA00000571	SCREW M4*12	1
128	FXWA00040011	NYLON NUT M4	1
129	FXWA07180711	TAIL COVER	1
130	FXWA07012131	NAIL RAIL	1
131	FXWB07006131	PUSHER SET	1
132	FXWA00010031	SCREW M3*8	2
133	FXWA01002531	SPRING	1
134	FXWA07072011	PUSHER SITE	1
135	FXWA07072021	PUSHER	1
136	FXWA07150461	FIXED SWITCH	1
137	FXWB01000041	INNER TRIGGER BLADE ASS'Y	1
138	FXWB05002431	CONTACT PLATE SET	1
139	FWBAT2AH	BATTERY 18V 2Ah B30815820	1
140	FXWA00052221	WASHER 5.9*2*1T	1
141	FXWA01050461	SPRING LEVER LOCK	2
142	FXWA00001451	SCREW M3*6	2