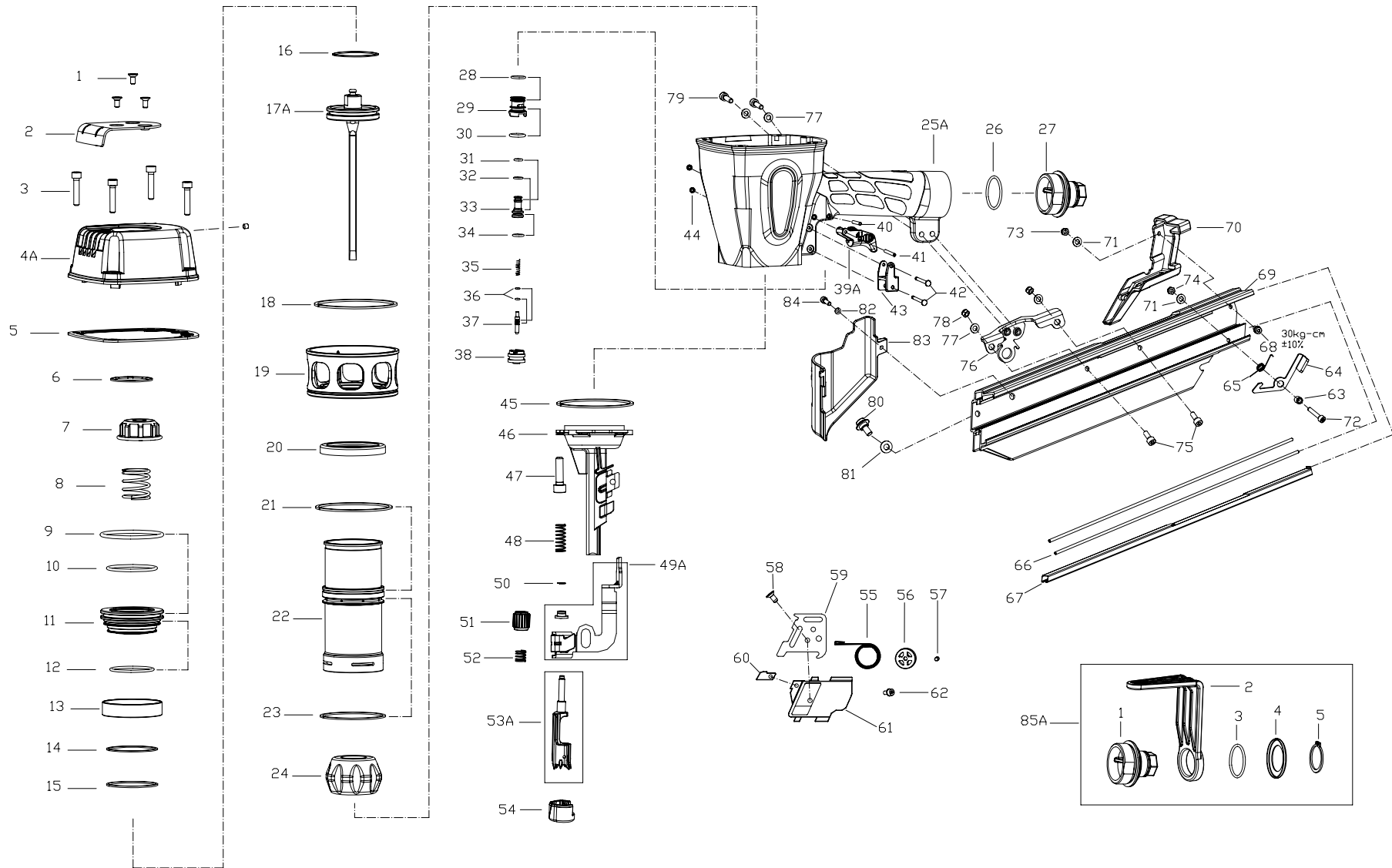


# EXPLODED VIEW



# Parts List

| Item No. | Part No.    | Description              | Q'ty | Item No.              | Part No.    | Description              | Q'ty |  |
|----------|-------------|--------------------------|------|-----------------------|-------------|--------------------------|------|--|
| 1        | 32905110166 | Hex.Soc.Hd.Bolt          | 3    | 51                    | 21731601015 | Adjusting Nut            | 1    |  |
| 2        | 21730010001 | Deflector                | 1    | 52                    | 21731630001 | Adjusting Spring         | 1    |  |
| 3        | 31606300166 | Hex.Soc.Hd.Bolt          | 4    | 53A                   | 22121511001 | Lower Safety Lever Assy. | 1set |  |
| 4A       | 217300210XX | Cap Assembly             | 1set | 54                    | 20981580015 | Rubber Pad               | 1    |  |
| 5        | 21730130015 | Gasket                   | 1    | 55                    | 21692090000 | Spiral Spring            | 1    |  |
| 6        | 20560210001 | Washer                   | 1    | 56                    | 21732110016 | Roller                   | 1    |  |
| 7        | 21730140017 | Piston Stopper           | 1    | 57                    | 20330500000 | Pin                      | 1    |  |
| 8        | 21730160000 | Spring                   | 1    | 58                    | 32905080166 | Hex.Soc.Hd.Bolt          | 1    |  |
| 9        | 30700138000 | O-Ring                   | 1    | 59                    | 22122130001 | Pusher                   | 1    |  |
| 10       | 30700049000 | O-Ring                   | 1    | 60                    | 22102450001 | Stopper                  | 1    |  |
| 11       | 21730150000 | Piston,Head Valve        | 1    | 61                    | 22122150015 | Carriage                 | 1    |  |
| 12       | 30700177000 | O-Ring                   | 1    | 62                    | 31604080166 | Hex.Soc.Hd.Bolt          | 1    |  |
| 13       | 21220260000 | Piston,Head Valve        | 1    | 63                    | 22102300001 | Spacer                   | 1    |  |
| 14       | 21220170015 | Seal, Piston Head Valve  | 1    | 64                    | 22102360001 | Magazine lock            | 1    |  |
| 15       | 21220280001 | Retaining Ring           | 1    | 65                    | 22102290001 | Torsion spring           | 1    |  |
| 16       | 30700075000 | O-Ring                   | 1    | 66                    | 22122060001 | Nail Guide Liner         | 2    |  |
| 17A      | 22120461101 | Driver Assembly          | 1set | 67                    | 22122070002 | Wear Rail                | 1    |  |
| 18       | 30700155000 | O-Ring                   | 1    | 68                    | 31604120166 | Hex.Soc.Hd.Bolt          | 1    |  |
| 19       | 20560340016 | Cylinder Hold Down       | 1    | 69                    | 22122051097 | Magazine                 | 1    |  |
| 20       | 20560250017 | Seal                     | 1    | 70                    | 22122180015 | Magazine cover           | 1    |  |
| 21       | 30700140000 | O-Ring                   | 1    | 71                    | 30900009001 | Flat Washer              | 2    |  |
| 22       | 21730350100 | Cylinder                 | 1    | 72                    | 30104200166 | Hex.Soc.Hd.Bolt          | 1    |  |
| 23       | 30700074000 | O-Ring                   | 1    | 73                    | 31804070066 | Cap Locknut              | 1    |  |
| 24       | 21730470015 | Bumper                   | 1    | 74                    | 30604070001 | Locknut                  | 1    |  |
| 25A      | 217306020XX | Body Assembly            | 1set | 75                    | 31605120766 | Hex.Soc.Hd.Bolt          | 2    |  |
| 26       | 30700185000 | O-Ring                   | 1    | 76                    | 22122170001 | Bracket                  | 1    |  |
| 27       | 207707X00XX | End Cap                  | 1    | 77                    | 30900016001 | Flat Washer              | 4    |  |
| 28       | 30700079000 | O-Ring                   | 1    | 78                    | 30605080001 | Locknut                  | 2    |  |
| 29       | 20770900016 | Valve                    | 1    | 79                    | 30105180166 | Hex.Soc.Hd.Bolt          | 2    |  |
| 30       | 30700081000 | O-Ring                   | 1    | 80                    | 33106090766 | Spec Hex.Bolt            | 1    |  |
| 31       | 30700002000 | O-Ring                   | 1    | 81                    | 30900025001 | Flat Washer              | 1    |  |
| 32       | 30700201000 | O-Ring                   | 1    | 82                    | 30900020001 | Flat Washer              | 1    |  |
| 33       | 20770910016 | Valve Plunger            | 1    | 83                    | 22121550115 | Safety cover             | 1    |  |
| 34       | 30700071000 | O-Ring                   | 1    | 84                    | 30104120166 | Hex.Soc.Hd.Bolt          | 1    |  |
| 35       | 20770960001 | Spring                   | 1    |                       |             |                          |      |  |
| 36       | 30700080000 | O-Ring                   | 2    |                       |             |                          |      |  |
| 37       | 20770920000 | Plunger                  | 1    |                       |             |                          |      |  |
| 38       | 20770930016 | Plunger Cap              | 1    |                       |             |                          |      |  |
| 39       | 21730952115 | Trigger Assembly         | 1set |                       |             |                          |      |  |
| 40       | 30803220001 | Spring Pin               | 1    |                       |             |                          |      |  |
| 41       | 30803250001 | Spring Pin               | 1    |                       |             |                          |      |  |
| 42       | 20770890001 | Pin Trigger              | 2    |                       |             |                          |      |  |
| 43       | 21732840015 | Guide,Safety Lever       | 1    |                       |             |                          |      |  |
| 44       | 30700078000 | Grommet                  | 2    |                       |             |                          |      |  |
| 45       | 30700051000 | O-Ring                   | 1    |                       |             |                          |      |  |
| 46       | 22121130066 | Nose                     | 1    |                       |             |                          |      |  |
| 47       | 30108250166 | Hex.Soc.Hd.Bolt          | 4    |                       |             |                          |      |  |
| 48       | 22121490001 | Spring,Safety            | 1    |                       |             |                          |      |  |
| 49A      | 22121481201 | Upper Safety Lever Assy. | 1set |                       |             |                          |      |  |
| 50       | 31303000001 | E-ring                   | 1    |                       |             |                          |      |  |
|          |             |                          |      | <b>Optional Parts</b> |             |                          |      |  |
|          |             |                          |      | 85A                   | 21730822015 | Belt Hook Assembly       | 1set |  |
|          |             |                          |      | 85A-1                 | 217308X00XX | End Cap                  | 1    |  |
|          |             |                          |      | 85A-2                 | 20560830115 | Belt Hook                | 1    |  |
|          |             |                          |      | 85A-3                 | 30700101000 | O-Ring                   | 1    |  |
|          |             |                          |      | 85A-4                 | 20560840001 | Cover Belt Hook          | 1    |  |
|          |             |                          |      | 85A-5                 | 33428000001 | C-Ring                   | 1    |  |

BN2883F#42121100100

6/7/2011