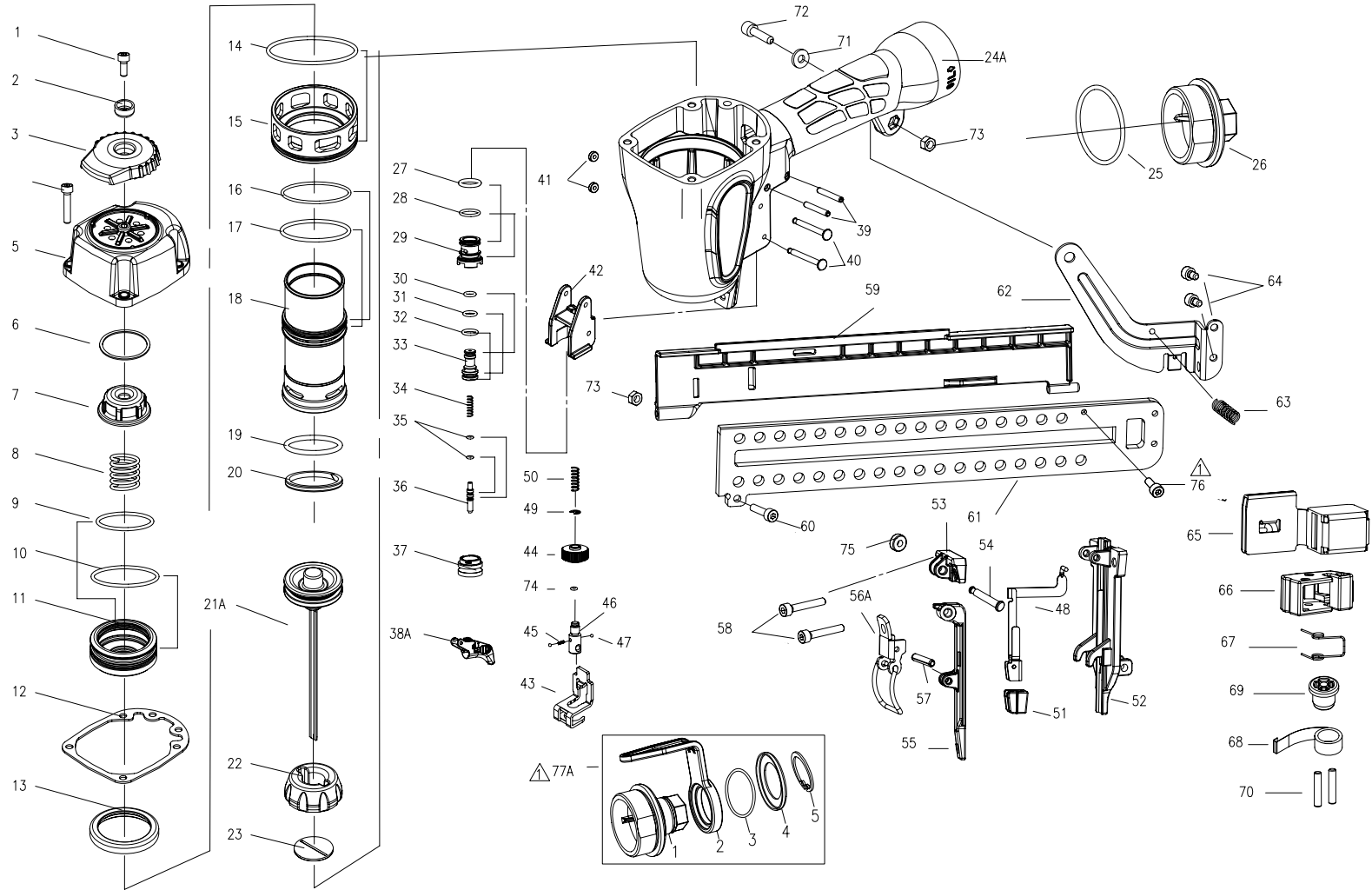


EXPLODED VIEW



Parts List

Item No.	Part No.	Description	Q'ty	Item No.	Part No.	Description	Q'ty
1	30105140766	Hex.Soc.Hd.Bolt	1	46	22011500001	Adjusting Post	1
2	20790000001	Bushing,Deflector	1	47	31200200000	Ball,Steel	2
3	20790010115	Deflector,Exhaust	1	48	22021510001	Loewr Safety	1
4	31605220766	Hex.Soc.Hd.Bolt	4	49	31303000001	E-ring	1
5	215700202XX	Cap	1	50	20771490001	Spring,Safety	1
6	21180230001	Metal Shim	1	51	22021580015	Safety Cover	1
7	21570140117	Piston Stopper	1	52	22051350066	NOSE	1
8	20970160100	Head Valve Spring	1	53	22011330066	Upper Door	1
9	30700110000	O-Ring	1	54	21221170001	Pin	1
10	30700111000	O-Ring	1	55	22021340066	Door	1
11	21970150000	Piston Head Valve	1	56A	22021361001	Latch Door Assembly	1set
12	21570130000	Cap, Gasket	1	57	30803160001	Spring Pin	1
13	20910250117	Seal	1	58	30105300866	Hex.Soc.Hd.Bolt	2
14	30700153000	O-Ring	1	59	21442180215	Magzine Cap	1
15	21570370016	Cylinder Spacer	1	60	30105250266	Hex.Soc.Hd.Bolt	1
16	30700042000	O-Ring	1	61	22052050001	Magzine	1
17	30700169000	O-Ring	1	62	22052170001	Bracket	1
18	21570350000	Cylinder	1	63	22022620000	Spring	1
19	30700108000	O-Ring	1	64	31605120766	Hex.Soc.Hd.Bolt	2
20	20910510015	O-Ring	1	65	22052130101	Pusher	1
21A	22050462101	Driver Assembly	1set	66	20792360115	Latch	1
22	21570470015	Bumper	1	67	20792290001	Spring	1
23	22050480101	Driver Guide	1	68	21442090000	Spiral Spring	1
24A	215706022XX	Body Assembly	1set	69	21442110016	Roller	1
25	30700185000	O-Ring	1	70	32104198012	Roller Pin	2
26	207707X01XX	End Cap	1	71	30900005001	Flat Washer	1
27	30700079000	O-Ring	1	72	30105140166	Hex.Soc.Hd.Bolt	1
28	30700081000	O-Ring	1	73	30605080001	Locknut	2
29	20770900016	Valve	1	74	30700136000	O-Ring	1
30	30700002000	O-Ring	1	75	30700157000	O-Ring	1
31	30700201000	O-Ring	1	76	30104060166	Hex.Soc.Hd.Bolt	1
32	30700071000	O-Ring	1				
33	20770910016	Valve Plunger	1				
34	20770960001	Spring	1				
35	30700080000	O-Ring	2				
36	22220920000	Plunger	1	Optional Parts			
37	20770930016	Plunger Cap	1	77A	20970832115	Belt hook Assembly	1set
38A	22220952015	Trigger Assembly	1set	77A-1	209707X00XX	End Cap	1
39	30803240001	Spring Pin	2	77A-2	20970830115	Belt hook	1
40	20770890001	Trigger Pin	2	77A-3	30700188000	O-Ring	1
41	30700078000	Grommet	2	77A-4	20970840001	Cover,Belt hook	1
42	22012840015	Guide, Contact Trip	1	77A-5	33425000001	C-ring	1
43	22011480001	Upper Safety Lever	1				
44	22011600001	Adjusting Nut	1				
45	20771630000	Adjusting Spring	1				

ASM5040#42051100100

11/19/2009