

FDHBFJ832-1 H03BY

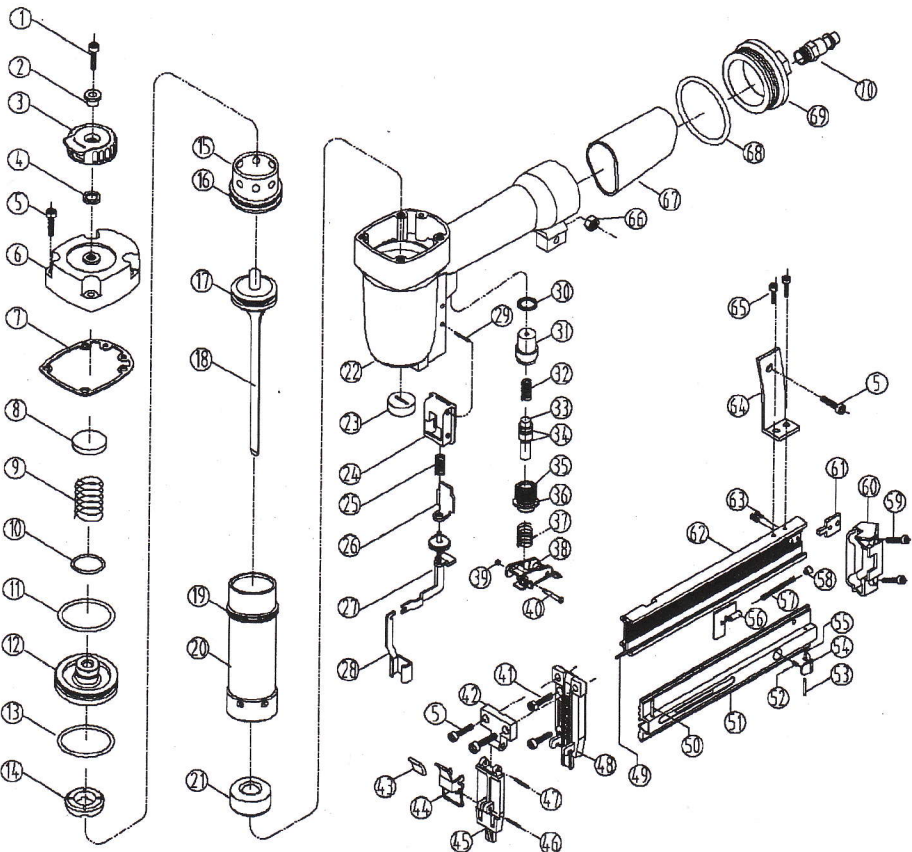
210 000

PARTS LIST

Refer to the Exploded View Drawing for the location of parts listed below

ITEM	DESCRIPTION	ITEM	DESCRIPTION
1	SCREW	36	O-RING 15X19
2	BUSHING	37	SPRING
3	EXHAUST COVER	38	TRIGGER
4	SEAL	39	WASHER
5	SCREW	40	PIN
6	CYLINDER CAP	41	SCREW
7	GASKET	42	PLATE
8	SEAL	43	LATCH SLEEVE
9	SPRING	44	LATCH ASSEMBLY
10	O-RING 15.7X2	45	FRONT PLATE
11	O-RING 38.8X3	46	SPRING PIN
12	VALVE	47	SPRING PIN
13	O-RING 33.5X3.5	48	DRIVE GUIDE
14	STOPPED WASHER	49	RAIL
15	COLLAR	50	SPRING PIN
16	O-RING 50.5X2.5	51	MOVABLE MAGAZINE
17	O-RING 28.3X3	52	SPRING
18	PISTON ASSEMBLY	53	PIN
19	O-RING 36.3X2.5	54	LOCK
20	CYLINDER	55	LOCKING WASHER
21	BLAMPER	56	FEEDER SHOE
22	BODY	57	SPRING
23	JOINT GUIDE	58	SPRING SEAT
24	SAFE GUIDER	59	SCREW
25	SPRING	60	STOPPED PLATE
26	SAFE BRACKET A	61	STOPPED PIECE
27	SAFE BRACKET B	62	FIXED MAGAZINE
28	SAFE BRACKET C	63	SCREW
29	SPRING PIN	64	SUPPORT
30	SEAL	65	SCREW
31	TRIGGER VALVE HEAD	66	NUT
32	SPRING	67	SOFT GRIP SLEEVE
33	TRIGGER VALVE STEM	68	O-RING 40.2X2.3
34	O-RING 5.5X1.5	69	END CAP
35	TRIGGER VALVE GUIDE	70	AIR PLUG

EXPLODED VIEW DRAWING



6/20/10