

FDHBF 185D-1 HD8BY

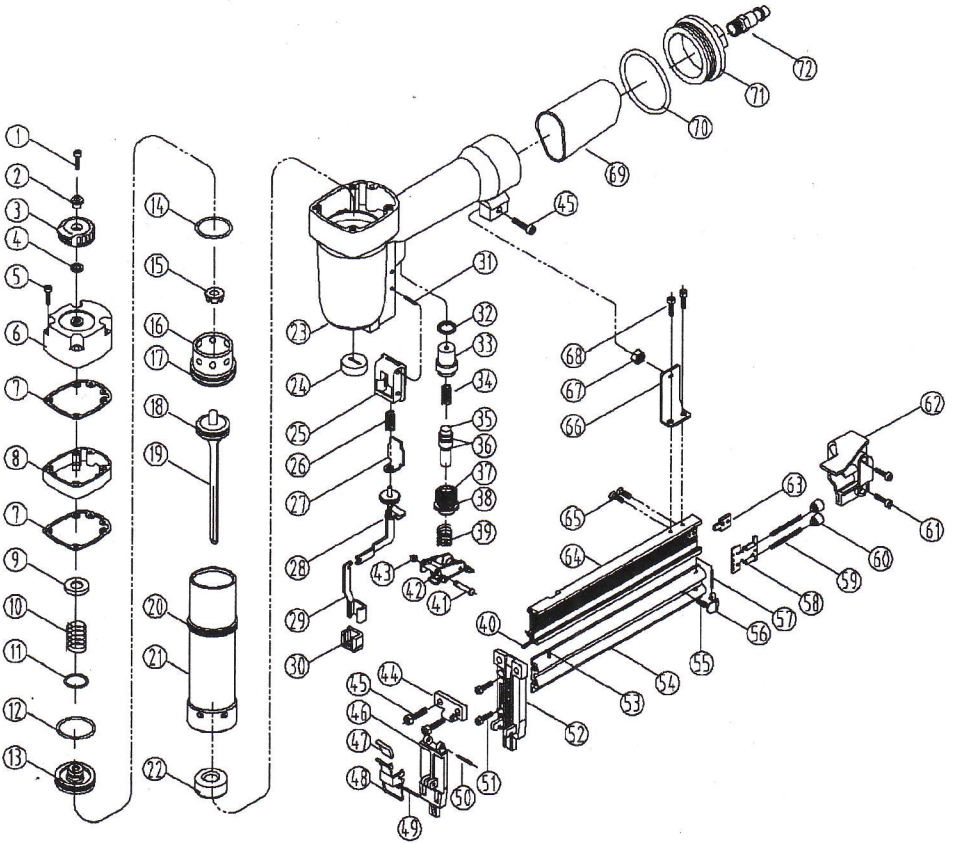
810 000

**PARTS LIST**

Refer to the Exploded View Drawing for the location of parts listed below

ITEM	DESCRIPTION	ITEM	DESCRIPTION
1	SCREW	37	TRIGGER VALVE GUIDE
2	BUSHING	38	O-RING 15X19
3	EXHAUST COVER	39	TRIGGER SPRING
4	SEAL	40	RAIL
5	SCREW	41	PIN
6	CYLINDER CAP	42	TRIGGER ASSEMBLY
7	GASKET	43	WASHER
8	LENGTHEN LOOP	44	PLATE
9	VALVE SEAL	45	SCREW
10	SPRING	46	FRONT PLATE
11	O-RING 15.7X2	47	LATCH SLEEVE
12	O-RING 38.8X3	48	LATCH ASSEMBLY
13	VALVE	49	SPRING PIN
14	O-RING 33.5X3.5	50	SPRING PIN
15	STOPPED WASHER	51	SCREW
16	COLLAR	52	DRIVE GUIDE
17	O-RING 50.5X2.5	53	SPRING PIN
18	O-RING 28.3X3	54	MOVABLE MAGAZINE
19	PISTON ASSEMBLY	55	LOCK SPRING
20	O-RING 36.3X2.5	56	LOCK
21	CYLINDER	57	PIN
22	BUMPER	58	FEEDER SHOE
23	BODY	59	SPRING
24	JOINT GUIDE	60	SPRING RETAINER
25	SAFE GUIDER GUIDE	61	SCREW
26	SPRING	62	MAGAZINE PLATE
27	SAFE BRACKET A	63	STOPPED PIECE
28	SAFE BRACKET B	64	FIXED MAGAZINE
29	SAFE BRACKET C	65	SCREW
30	SAFE RUBBER	66	SUPPORT
31	SPRING PIN	67	NUT
32	SEAL	68	SCREW
33	TRIGGER VALVE HEAD	69	SOFT GRIP SLEEVE
34	STEM SPRING	70	O-RING 40.2X2.3
35	TRIGGER VALVE STEM	71	END CAP
36	O-RING 5.5X1.5	72	AIR PLUG

**EXPLODED VIEW DRAWING**



612010