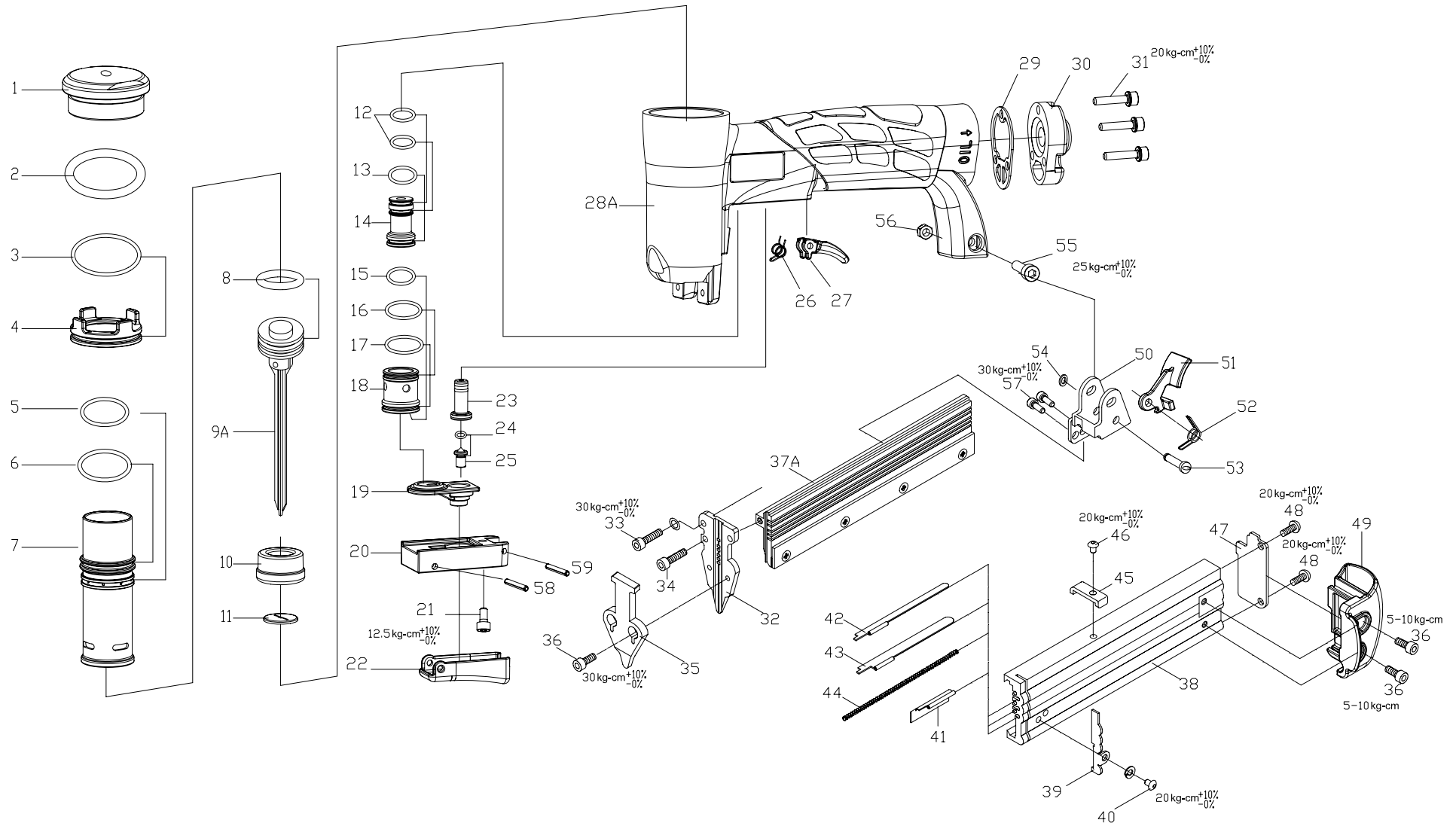


EXPLODED VIEW



Parts List

Item No.	Part No.	Description	Q'ty	Item No.	Part No.	Description	Q'ty
1	21450020063	Cap	1	31	30104160866	Hex.Soc.Hd.Bolt	3
2	30700088000	O-Ring	1	32	21451350066	Nose	1
3	30700037000	O-Ring	1	33	30104140866	Hex.Soc.Hd.Bolt	2
4	21120180016	Cylinder Seal	1	34	30104140166	Hex.Soc.Hd.Bolt	1
5	30700034000	O-Ring	1	35	21451340066	Door	1
6	30700122000	O-Ring	1	36	30104080166	Hex. Soc. Hd. Bolt	4
7	21120350000	Cylinder	1	37A	21452051000	Lower Magazine Assy.	1SET
8	30700068000	O-Ring	1	38	21452200066	Magazine Cover	1
9A	21450461001	Driver Assembly	1set	39	21452770001	Stopper	1
10	21120470015	Bumper	1	40	30404060266	Hex.Soc.Hd.Bolt	1
11	21450480001	Driver Guide	1	41	21452130001	Pusher	1
12	30700224000	O-Ring	2	42	21452670001	Pusher	3
13	30700027000	O-Ring	1	43	21452750001	Pusher	2
14	21880910016	Valve Plunger	1	44	21452210001	Spring	6
15	30700213000	O-Ring	1	45	21452760001	Stopper	1
16	30700030000	O-Ring	1	46	30404060166	Hex.Soc.Hd.Bolt	1
17	30700213000	O-Ring	1	47	21452430001	Upper Magazine Cover	1
18	21880900000	Valve	1	48	30404100166	Hex.Soc.Hd.Bolt	2
19	21880930015	Plunger Cap	1	49	21452460015	Upper Magazine Cover	1
20	21883170015	Trigger Cap	1	50	21452310066	Latch	1
21	31604100766	Hex. Soc. Hd. Bolt	1	51	20332280001	Latch	1
22	21880950015	Trigger(A)	1	52	21452290001	Latch Spring	1
23	21881030015	Trigger Seal	1	53	21122340001	Pin	1
24	30700214000	O-Ring	1	54	30700067000	O-Ring	1
25	21880920116	Plunger	1	55	30104200166	Hex.Soc.Hd.Bolt	1
26	21882290001	Spring	1	56	30604070001	Locknut	1
27	21883150015	Lock, Trigger	1	57	30104060166	Hex.Soc.Hd.Bolt	2
28A	218806020xx	Body Assembly	1SET	58	30803220001	Spring Pin	1
29	21120730000	Gasket	1	59	30803200001	Spring Pin	1
30	211207x00xx	End Cap	1				

MP0630-1#42031100100

8/24/2009