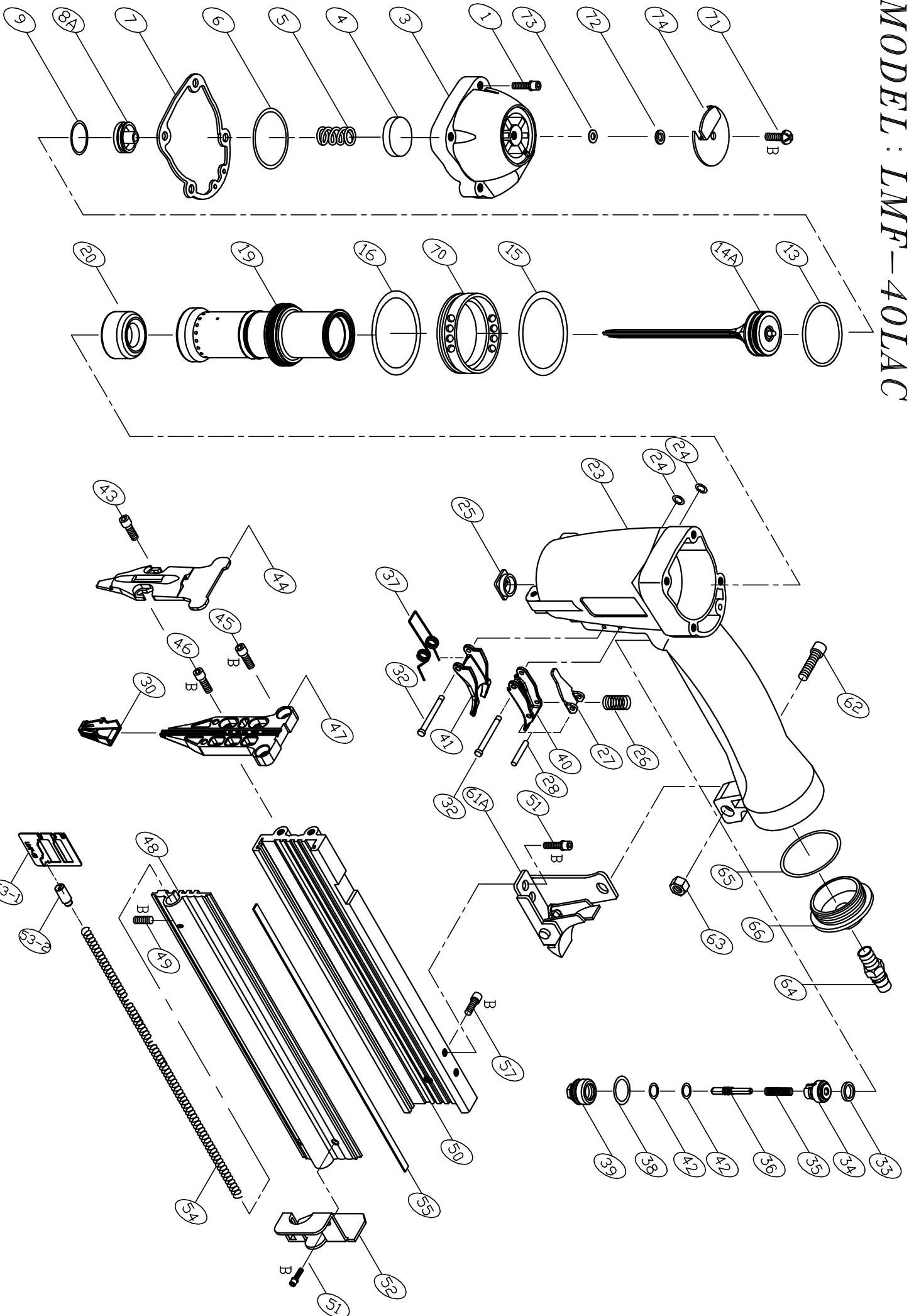


MODEL: LMF-40IAC



*B: APPLY LOCTITE 242

R16710 05/14/2007

Parts List

Item No.	Part No.	Description	Q'ty	Item No.	Part No.	Description	Q'ty
1	HS05080BW-20	Hex. Soc. Hd. Bolt +SW	4	41	11704101	Trigger Cover	1
3	13900304-A01	Cap	1	42	OR02510N	O Ring	2
4	12100401	Seal	1	43	HS04070B-10	Hex.Soc.Hd.Bolt	2
5	12100501	Spring	1	44	11704402	Driver Guide Cover	1
6	OR13824N	O-Ring	1	45	HS05080B-12	Hex.Soc.Hd.Bolt	2
7	13900702	Cap Seal	1	46	HS04070B-12	Hex.Soc.Hd.Bolt	2
8A	12100801A	Head Vavle Asm.	1	47	11704702	Nose	1
9	OR31824N	O-Ring	1	48	11704801	Magazine Cover	1
13	OR17730N	O-Ring	1	49	SS04070B-12	Set Screw	1
14A	11701402A	Driver Assembly(One PC)	1	50	11705001	Magazine	1
15	OR44431N	O-Ring	1	51	HS04070BW-08	Hex.Soc.Hd.Bolt +SW	4
16	OR35020N	O-Ring	1	52	11705201	Tail Cover	1
19	11701902	Cylinder	1	53-1	11705301	Pusher	1
20	11502001	Bumper	1	53-2	11705302	Pusher Block	1
23	11102311	Body(Yellow)	1	54	12105401	Spring	1
24	OR01919N	O-Ring	2	55	12105501	Nail Guide Liner	1
25	12102501	Joint Guide	1	57	HS04070B-06	Hex.Soc.Hd.Bolt	1
26	32802501	Spring	1	61A	13206101A	Bracket Assembly	1
27	15104601	Trigger Lever	1	62	HS05080B-16	Hex.Soc.Hd.Bolt	1
28	BP0316P	Ball Pin	1	63	LN0500N	Lock Nut	1
30	11703001	No Mark Tip	1	64	12106401	Air Plug	1
32	11103201	Stepped Pin	2	65	OR40030N	O-Ring	1
33	32803301	Seal	1	66	11106601	Cover	1
34	32803501	Trigger Valve Head	1	70	13901903	Collar	1
35	32803601	Spring	1	71	US05080B-06	Um.Hd.Blot	1
36	32803701	Trigger Valve Stem	1	72	SW0500W	Spring Washer	1
37	11703701	Spring	1	73	12103301	Seal	1
38	OR10719N	O Ring	1	74	13108001	Exhaust Cover	1
39	32803801	Trigger Valve Guide	1				
40	11704001	Trigger	1				