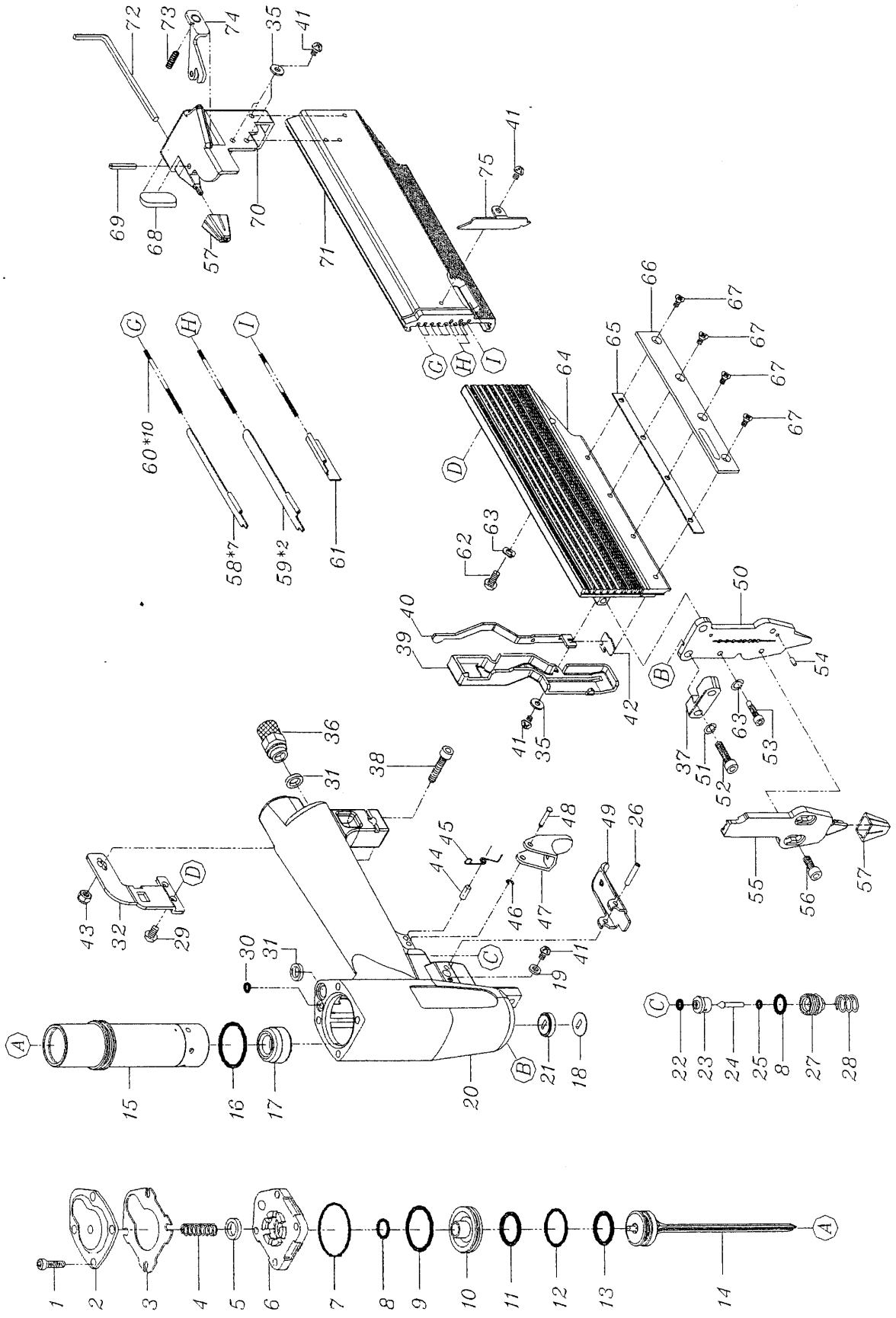


FDPT 0850

EXPLODED VIEW



Parts List

Item No.	Part No.	Description	Q'ty	Item No.	Part No.	Description	Q'ty
1	301-5*20	HEX.SOC.HD.BOLT	4	43	311-5B	NYLON NUT	1
2	A134G	CAP	1	44	A8442	PIN	1
3	A014G	CAP GASKET	1	45	A824F	SAFETY TRIGGER SPRING	1
4	A2342	COMPRESSION SPRING	1	46	333-2.5	E-RING	1
5	A1442	VALVE STOP	1	47	A814G	SAFETY TRIGGER	1
6	A124FB	CYLINDER CAP	1	48	331-3*12	PIN	1
7	401-1028	O-RING	1	49	A714L	TRIGGER	1
8	401-2012	O-RING	2	50	B0257	NOSE	1
9	401-AS118	O-RING	1	51	321-5M	SPRING WASHER	2
10	A214F	HEAD VALVE	1	52	301-5*14	HEX.SOC.HD.BOLT	2
11	401-3008	O-RING	1	54	301-4*18F	HEX.SOC.HD.BOLT	1
12	401-3019	O-RING	1	55	330-2.1*5	PIN	2
13	401-3015	O-RING	1	55	B0157	COVER PLATE	1
14	A5157	DRIVER	1	56	301-4*6	HEX.SOC.HD.BOLT	2
15	A414L	CYLINDER	1	57	A284G	NOSE PROTECTOR	2
16	AS119	O-RING	1	58	B26491	PUSHER #1(S)	7
17	A434I	BUMPER	1	59	B26492	PUSHER #1(L)	2
18	A034MA	PLATE	1	60	B6353	PUSHER SPRING	10
19	320-4.2*7*0.5	WASHER	1	61	B6149	PUSHER	1
20	A004ML	GUN BODY	1	62	305-4*10	HEX.SOC.HD.BOLT	1
21	A034M	DRIVER SEAL	1	63	321-4M	SPRING WASHER	2
22	401-P9	O-RING	1	64	B2157	MAGAZINE SEAT	1
23	A6142	TRIGGER VALVE SEAT	1	65	B2549	SPACER PALTE	1
24	A6342	TRIGGER VALVE STEM	1	66	B2453	RAILING PALTE	1
25	401-4.2*1.2	O-RING	1	67	303-3*5.5	HEX.SOC.FLAT HEAD SCREW	4
26	332-3*25	SPRING PIN	1	68	B764G	RUBBER PALTE	1
27	A6242	TRIGGER VALVE GUIDE	1	69	332-3*10	SPRING PIN	1
28	A7242	TRIGGER SPRING	1	70	B734L	SLIDER CAP	1
29	305-4*6	HEX.SOC.HD.BOLT	2	71	B4157	MAGAZINE	1
30	401-3*1.5	O-RING	1	72	814-3	ALLEN WRENCH	1
31	A274G	DEFLECTOR	2	73	B724G	SPRING	1
32	B2857	SUPPORT	1	74	B714G	LATCH	1
35	320-3*8*1	WASHER	4	75	B674L	PUSHER STOP	1
36	A074G	SILENCER	1				
37	B034E	DRIVER GUIDE B	1				
38	301-5*22+S	SCREW+SW	1				
39	B044L	COVER	1				
40	B094L	NON-DRIVE PREVENTIVE ARM	1				
41	305-3*6	SCREW	7				
42	A064F	NON-DRIVE PREVENTIVE LEVEL	1				