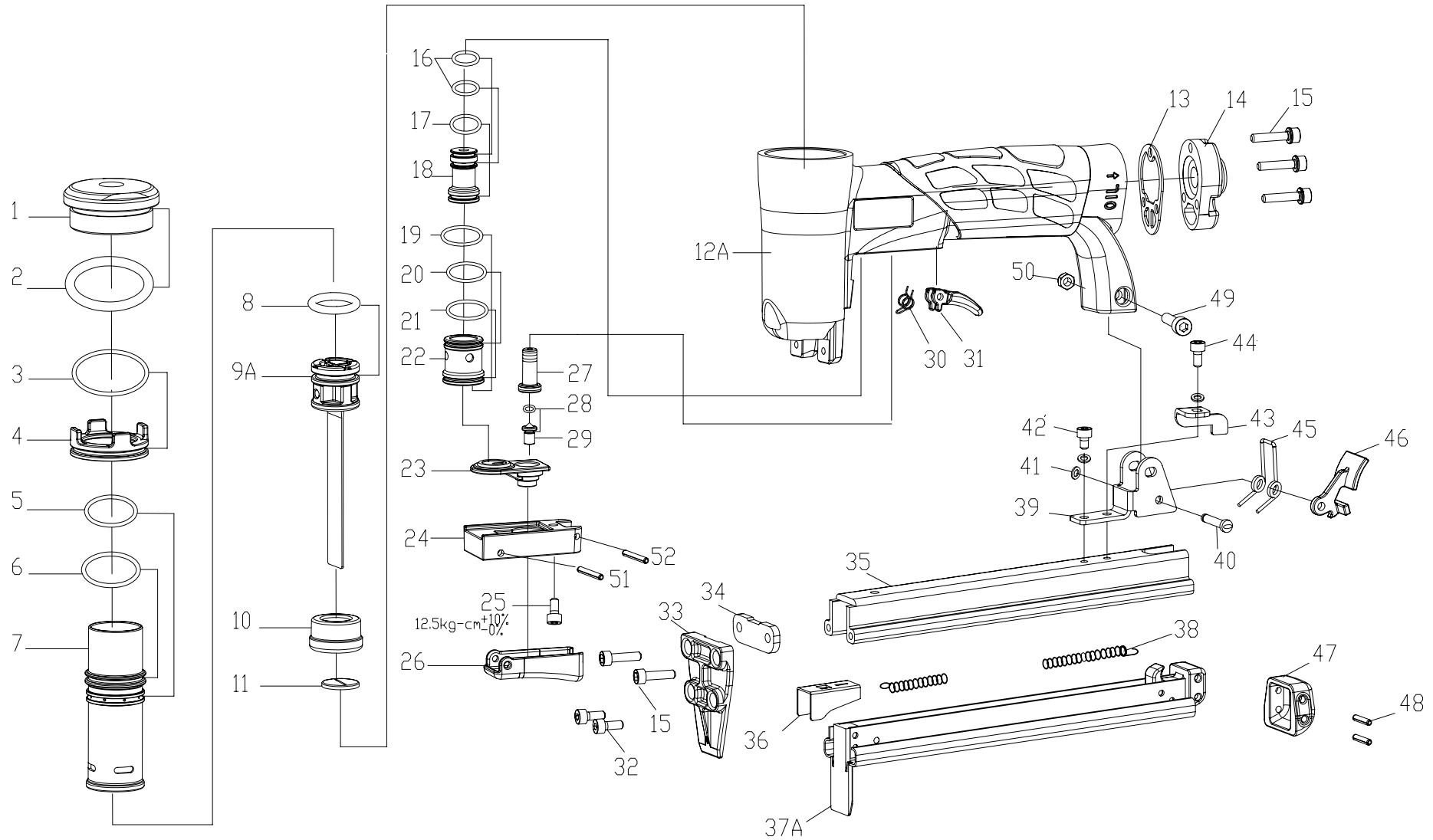


EXPLODED VIEW



Parts List

Item No.	Part No.	Description	Q'ty	Item No.	Part No.	Description	Q'ty
1	21120020066	Cap	1	36	20332130001	Pusher	1
2	30700088000	O-Ring	1	37A	21122511001	Magazine Assembly	1SET
3	30700037000	O-Ring	1	38	20332210001	Spring	1
4	21120180016	Cylinder Seal	1	39	21122310066	Spring Stopper	1
5	30700034000	O-Ring	1	40	21122340001	Pin	1
6	30700122000	O-Ring	1	41	30700067000	O-Ring	1
7	21120350000	Cylinder	1	42	30104060266	Hex.Soc.Hd.Bolt	1
8	30700068000	O-Ring	1	43	21122450001	Stoper	1
9A	21120461000	Driver Assembly	1set	44	30104080266	Hex.Soc.Hd.Bolt	1
10	21120470015	Bumper	1	45	21122290001	Latch Spring	1
11	20330480001	Driver Guide	1	46	20332280001	Latch	1
12A	218806020XX	Body Assembly	1set	47	21122460015	Magazine Cap	1
13	21120730000	Gasket	1	48	30803200001	Spring Pin	2
14	211207X00XX	End Cap	1	49	30104200166	Hex.Soc.Hd.Bolt	1
15	30104160866	Hex. Soc. Hd. Bolt	5	50	30604070066	Locknut	1
16	30700224000	O-Ring	2	51	30803220001	Spring Pin	1
17	30700027000	O-Ring	1	52	30803200001	Spring Pin	1
18	21880910016	Valve Plunger	1				
19	30700213000	O-Ring	1				
20	30700030000	O-Ring	1				
21	30700213000	O-Ring	1				
22	21880900000	Valve	1				
23	21880930015	Plunger Cap	1				
24	21883170015	Trigger Cap	1				
25	31604100766	Hex. Soc. Hd. Bolt	1				
26	21880950015	Trigger(A)	1				
27	21881030015	Trigger Seal	1				
28	30700214000	O-Ring	1				
29	21880920116	Plunger	1				
30	21882290001	Spring	1				
31	21883150015	Lock, Trigger	1				
32	30104100266	Hex. Soc. Hd. Bolt	2				
33	21121340066	Door	1				
34	21121330001	Driver Guide Cover	1				
35	21122200006	Magazine Cover	1				

ASF8016#41881100100

8/13/2009