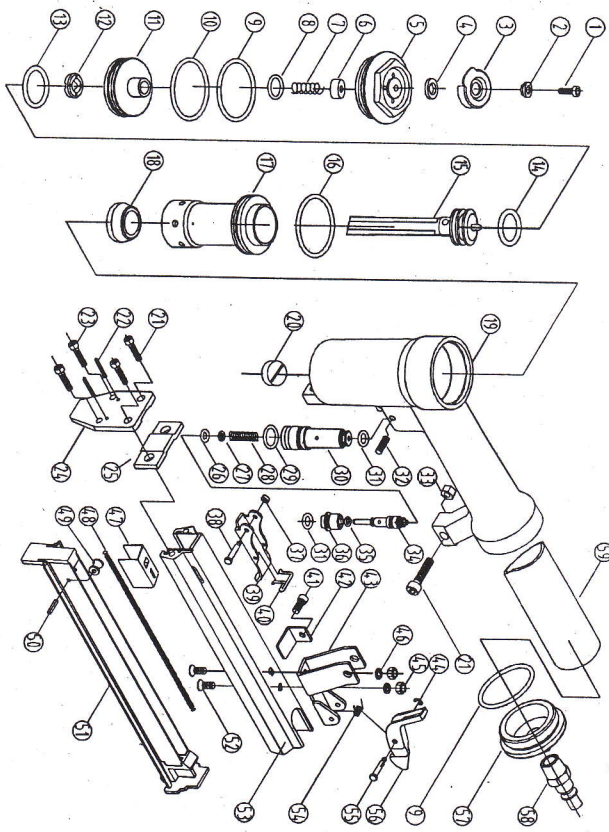


SN8016 EXPLODED VIEW DRAWING



PARTS LIST

Refer to the Exploded View Drawing for the location of parts listed below

ITEM	DESCRIPTION	ITEM	DESCRIPTION
1	SCREW	31	O-RING
2	BUSHING	32	SCREW
3	EXHAUST CAP	33	NUT
4	WASHER	34	TRIGGER VALVE STEM
5	CYLINDER CAP	35	O-RING
6	VALVE SEAL	36	TRIGGER VALVE GUIDER
7	VALVE SPRING	37	WASHER
8	O-RING	38	TRIGGER PIN
9	O-RING	39	TRIGGER
10	O-RING	40	SAFE SPRING
11	VALVE	41	SCREW
12	STOP WASHER	42	STOP PIECE
13	O-RING	43	SUPPORT
14	O-RING	44	LOCKING WASHER
15	PISTON ASSEMBLY	45	NUT
16	O-RING	46	SPRING WASHER
17	CYLINDER	47	FEEDER SHOE
18	BUMPER	48	TENSION SPRING
19	BODY	49	WHEEL
20	WASHER	50	SPRING PIN
21	SCREW	51	MOVABLE MAGAZINE UNIT
22	SPRING PIN	52	SCREW
23	SCREW	53	FIXED MAGAZINE UNIT
24	GUIDEBODY	54	TORSION SPRING
25	PLATE	55	PIN
26	O-RING	56	LOCK
27	O-RING	57	END CAP
28	SPRING	58	AIR PLUG
29	O-RING	59	SOFT GRIP SLEEVE
30	TRIGGER VALVE HEAD		