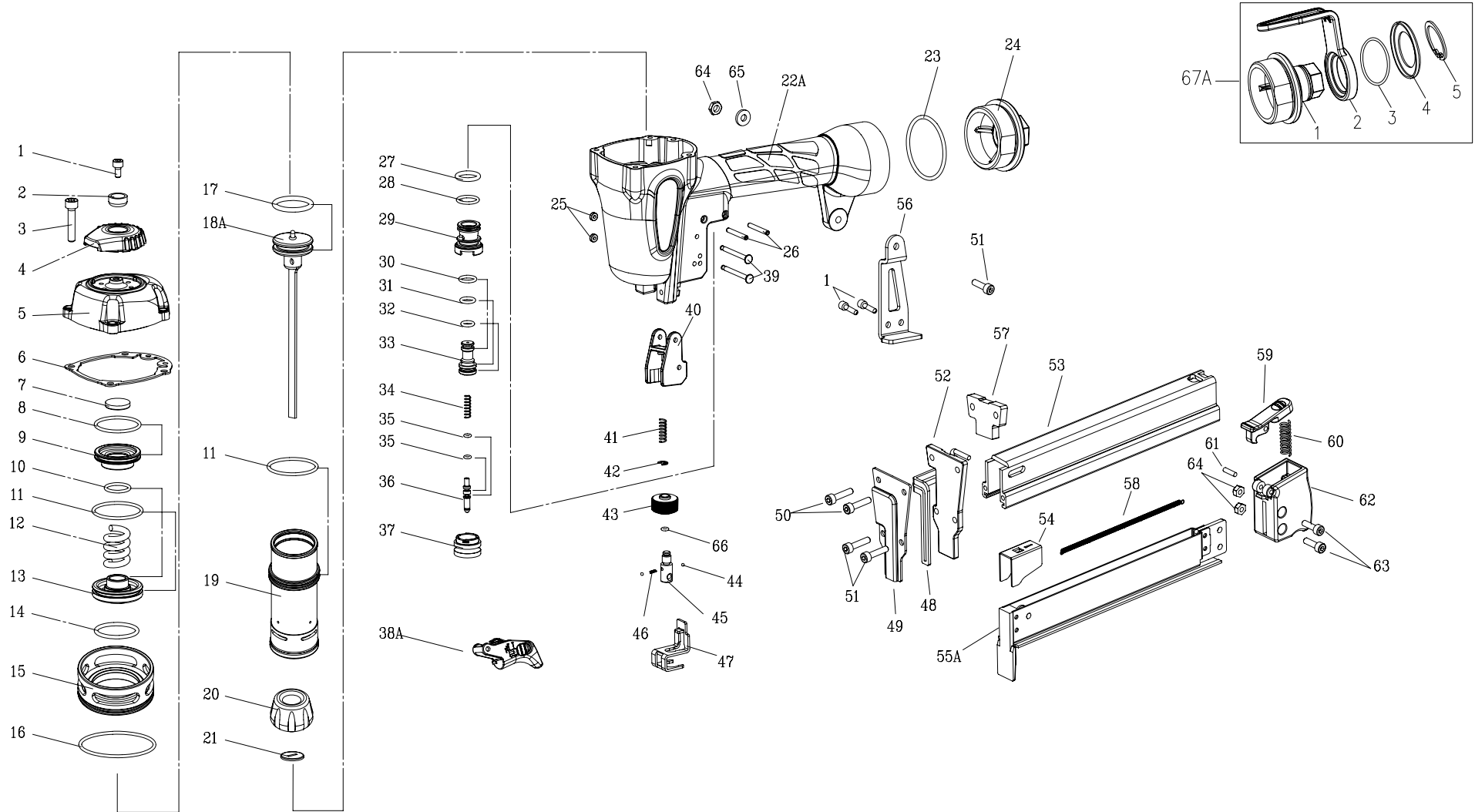


# EXPLODED VIEW



# Parts List

Item No.	Part No.	Description	Q'ty
1	30104080866	Hex.Soc.Hd.Bolt	2
2	21030000001	Bushing	1
3	30104200866	Hex.Soc.Hd.Bolt	4
4	21030010015	Deflector	1
5	210400201xx	Cap	1
6	21030130000	Casket, Cap	1
7	21030190017	Seal	1
8	30700123000	O-Ring	1
9	21030140016	Piston Stopper	1
10	30700125000	O-Ring	1
11	30700120000	O-Ring	2
12	21030160000	Spring	1
13	21030150216	Piston,Head	1
14	30700126000	O-Ring	1
15	21030340116	Cylinder Spacer	1
16	30700044000	O-Ring	1
17	30700187000	O-RING	1
18A	22800461000	Driver Assembly	1set
19	21040350200	Cylinder	1
20	22800470015	Bumper	1
21	22800480001	Driver Guide	1
22A	228006020XX	Body Assembly	1set
23	30700185000	O-Ring	1
24	207707X02XX	End Cap	1
25	30700078000	Grommet	2
26	30803240001	Spring Pin	2
27	30700079000	O-Ring	1
28	30700081000	O-Ring	1
29	20770900016	Valve	1
30	30700002000	O-Ring	1
31	30700201000	O-Ring	1
32	30700071000	O-Ring	1
33	20770910016	Valve Plunger	1
34	20770960001	Spring	1
35	30700080000	O-Ring	2
36	22220920000	Plunger	1
37	20770930016	Plunger Cap	1
38A	22220952015	Trigger Assembly	1set
39	20460890001	Pin Trigger	2
40	22282840215	Guide, Contact Trip	1
41	21031490101	Spring, Safety	1
42	31303000001	E-ring	1
43	20801600001	Adjusting Nut	1
44	31200200000	Ball,Steel	2
45	20801500101	Adjusting Post	1

Item No.	Part No.	Description	Q'ty
46	20771630000	Adjusting Spring	1
47	22281480001	Upper Safety Lever	1
48	22801510001	Lower Safety Lever Assembly	1
49	22801550001	Safety Cover	1
50	30104250166	Hex. Soc. Hd. Bolt	2
51	30104160166	Hex. Soc. Hd. Bolt	3
52	22801340001	Door	1
53	22802200006	Magazine Cap	1
54	22802130001	Pusher	1
55A	22802511001	Magazine Assy.	1
56	22802170001	Bracket	1
57	22801330001	Upper Door	1
58	20332210001	Spring	1
59	21702280115	Latch	1
60	21492330000	Latch Spring	1
61	30803150001	Pin	3
62	22062430015	Magazine Cap	1
63	30104140166	Hex. Soc. Hd. Bolt	2
64	30604070001	Locknut	3
65	30900010001	Flat Washer	1
66	30700136000	O-Ring	1
<b>Optional Parts</b>			
67A	20970832115	Belt hook Assembly	1set
67A-1	209707X00XX	End Cap	1
67A-2	20970830115	Belt hook	1
67A-3	30700188000	O-Ring	1
67A-4	20970840001	Cover,Belt hook	1
67A-5	33425000001	C-ring	1

FASN8025-2 #42801100100

12/14/2011

=222240620-16